

# CARAVITA®



## BIG BEN 2 LIGHT | LICHT ÉCLAIRAGE | LUZ

Handling Instructions Page 2	Bedienungs- anleitung Seite 16	Instructions pour la manutention Page 30	Instrucciones para la operación Página 44
DIAGRAMS OF CONNECTIONS - SCHALTPLÄNE - SCHÉMA ÉLECTRIQUE - CUADRO ELÉCTRICO Page / Seite / Página 58			

**Manufacturer / Hersteller / Fabricateur / Fabricante**

CARAVITA Europe s.r.o. | Trencianska, 827/81 | 01851 Nova Dubnica | SLOVAKIA

v07.17



# CAUTION !

**Improper use of this umbrella may lead to property damage or serious injury. Therefore, you must carefully read and follow the assembly and installation instructions and heed the following warnings:**

- DO NOT use the umbrella in high winds!
- DO NOT use or shelter under the umbrella during electrical storms!
- DO NOT sit or climb on the umbrella!
- DO NOT leave children unsupervised in proximity to the umbrella!
- DO NOT use this umbrella other than for its intended purpose!
- DO NOT use the umbrella without its base!
- DO NOT modify this umbrella in any way!

**Failure to use due care or to follow the instructions or to heed these warnings may result in property damage or serious injury and may void the warranty!**

## SAFETY INSTRUCTIONS

**Please note while connecting the power supply:**

**If the connection cable (feed cable) is damaged, it must be replaced by an original cable from CARAVITA or fixed by an authorized company the way, it will meet all safety regulation. In case of any failure in electrical installation or sunshade construction, please ask for original spare parts.**

- Do not use adapters or multiple pin connectors.
- To connect a power line, use original connection cable (with sealed connector), in required length which was produced regarding to your order.
- Any changes on electrical elements or connection cables or any reconstructions at the sunshade have to be made by a qualified company / speciality retailer.

**You put yourself and others into mortal danger!**

### Wind Warning!

Your CARAVITA BIG BEN is weather proof and can stay outside all year long. However it is not recommended to be left opened and unattended for long periods of time. It is also recommended that your CARAVITA umbrella be closed during inclement weather (snow or high winds). Close the sunshade when there are high winds or when it is not used and disconnect the power supply of BIG BEN LIGHT.

**The manufacturer is not liable for wind, snow or vandalism damage.**

## UNPACKING THE UMBRELLA

Inspect all received boxes for damages (opened ends, gouges, scratches, tears or any holes). If there is any sign of damage please contact your retailer or CARAVITA Customer Service immediately and make notation on the BOL.

Using scissors or a box cutter cut the adhesive tape and plastic straps. Be careful not to damage the umbrella inside the box.

**Do not discard of your packaging materials until all items have been able to be inspected. It is important to not damage the cardboard when opening. The cardboard should be folded temporarily and stored until all items are reviewed and deemed in perfect condition.**

## CONTENTS

Please examine the contents of the shipment to ensure all parts are included and undamaged. In addition to the umbrella the following is included:

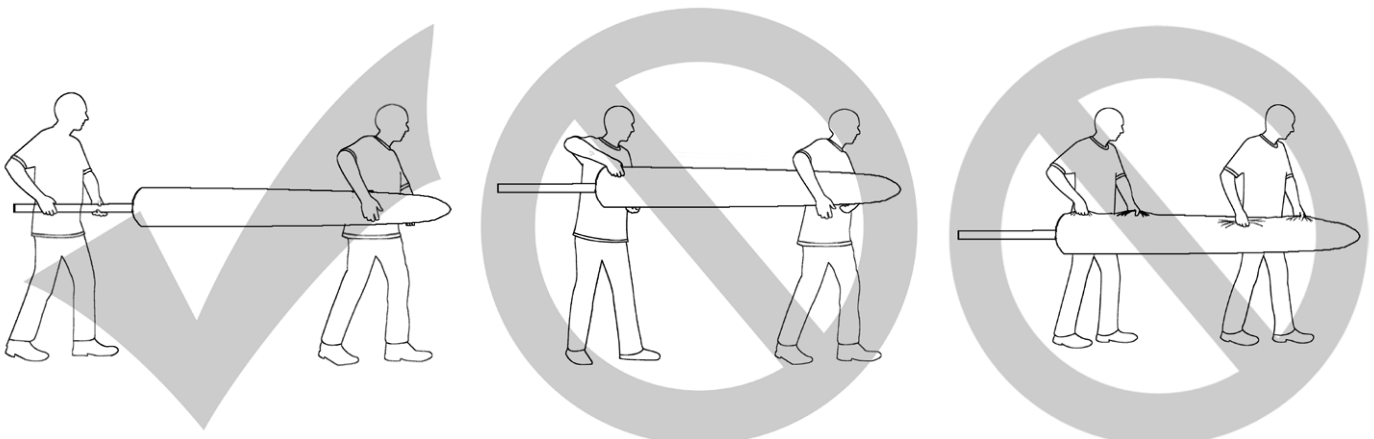
- Installation Guide
- Crank
- Aluminium finial top with globe
- Plug cover

## WARRANTY

When properly handled, CARAVITA GmbH offers a 5-year warranty policy on the frame and canopy. The warranty on electrical and transmission equipment is granted for 2 years. See attachment for detailed warranty-conditions.

## MOVING THE UMBRELLA

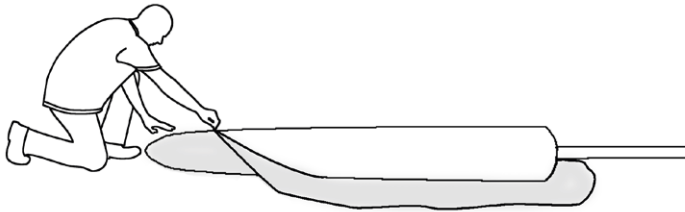
The umbrella should be carried by two people. One at each end of the umbrella. Please hold the umbrella with both hands. **DO NOT DRAG THE UMBRELLA BY PULLING THE PROTECTION BAG OR THE FABRIC!** This may cause tears. Do not hold on to the struts when carrying the umbrella. They might bend.



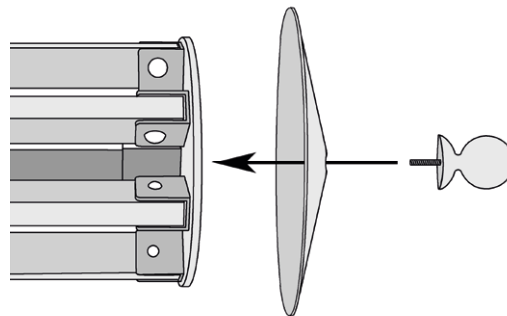
# SETTING UP THE UMBRELLA

Prepare your mobile stand or ground anchor as instructed by their corresponding manual and have the required accessory hardware ready for install. All sheet stands that use pavers should have the appropriate pavers installed and fillable stands should be filled with appropriate weighted material.

Remove the protection bag before installing if you do not have a push-rod which enables you to remove the protection bag from a set up umbrella.

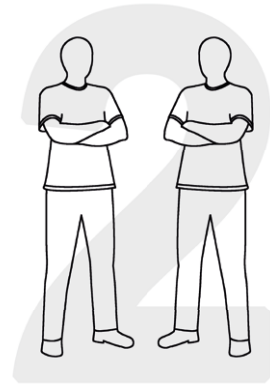


Install the supplied cover cap and finial at the top of the umbrella.



Before setting up the umbrella, make sure the area is clear of people and objects underneath that could be harmed or damaged and/or could cause damage to the umbrella.

Please be aware, that the umbrella is very tall, and thus hard to balance in an upright position. For this reason hold the umbrella firmly when installing to reduce the risk of injury.



For safety-purposes, two people should set up the umbrella.

Very large umbrellas weigh up to 100kg. Work carefully and foresightful to avoid danger.

**At least three persons should work on very large umbrellas!**



**1)** Put one of the 5 flange screws (M10x25) into the central hole. Let the screw protude about 10mm.

**2)** Carfully put the umbrella on the floor, with the lower end pointing towards the ground sleeve.

**3)** Using the alignment guide on the base of the umbrella, position on the central screw, and raise the umbrella with both hands into an upright position.

**CAUTION! - DO NOT LET GO OF THE UMBRELLA!  
IT CAN STILL FALL OVER!**

**4)** Hold the umbrella upright while a second person screws it to the base with the 4 screws (M10x35) and the washers provided. Do not tighten the screws yet.

**5)** Adjust the orientation of the umbrella. Then tighten the screws.

At times when the umbrella is not installed on the ground sleeve, close the holes of the ground sleeve against dirt with the provided flange screws (M10x25).

The purpose of the plastic mesh attached to the struts is to provide protection to the shade against damage during transport. Once the umbrella is open, the mesh can be removed carefully with scissors or a knife. Be careful not to damage the shade!

## DESCRIPTION OF THE LIGHTS AND THE ELECTRICAL PARTS

The Elegance lighting system consists of LED-strips embedded in an aluminium case with diffusor. It is attached to the supporting struts of the sunshade. The wires are integrated in the mast. The LED-density is 120 (RGB: 60) per meter.

The electrical box is located below the lower hub. The power supply from the ground is lead through the struts to the lights. The electrical box is sealed. The switch for the lights and/or heaters is located on the lower side of the box.

Big Ben with integrated light is connected with 230V/50Hz and 16A fuse as power supply!

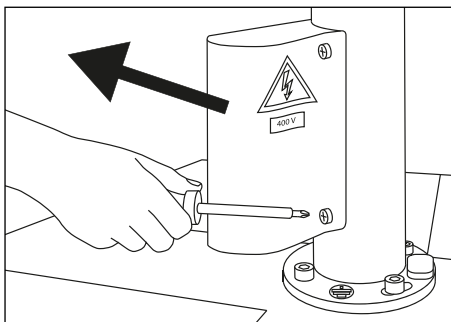
Big Ben with integrated light and wires for Solamagic heaters is connected with 400V/50Hz and 16A fuse as power supply!

### Important:

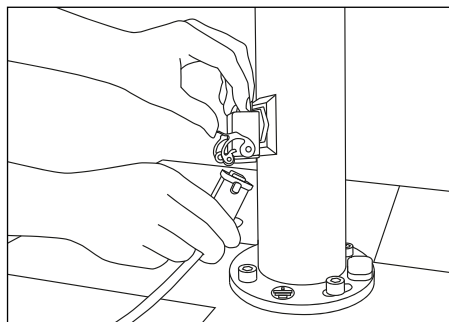
**The user of the umbrella has to make sure that the power supply is protected from being damaged.**

## ELECTRIC INSTALLATION

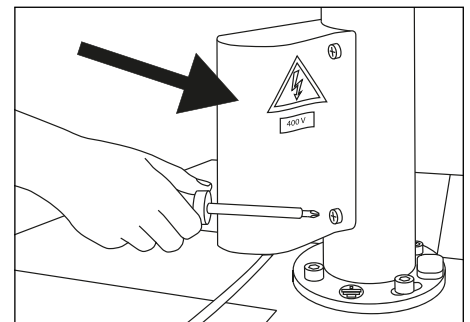
**Please connect the umbrella only with the connection cable delivered. Otherwise ask a qualified company / speciality retailer for individual connection solutions.**



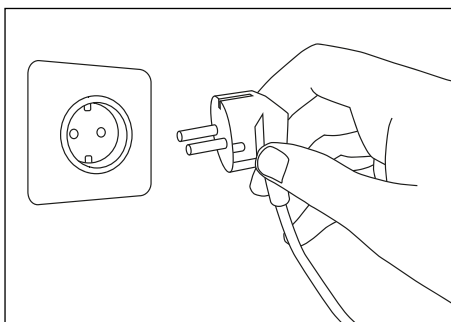
Loosen the screws and remove the protective cover. The socket is located below.



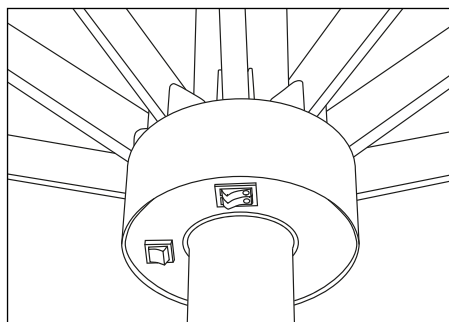
Put the plug into the socket and secure it with the clamp.



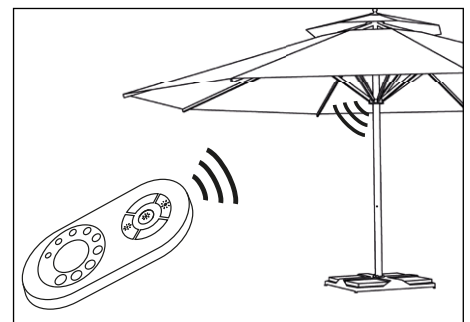
Tighten the protective cover with the screws.



Put the other end of the cable with the Schuko plug into the socket. Watch out for appropriate connection with 230V or 400V.



Lights are switched on and off by pushing the switch below the lower hub.

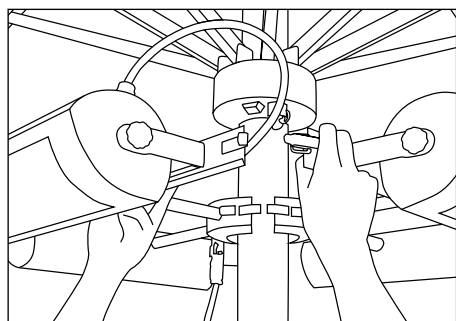
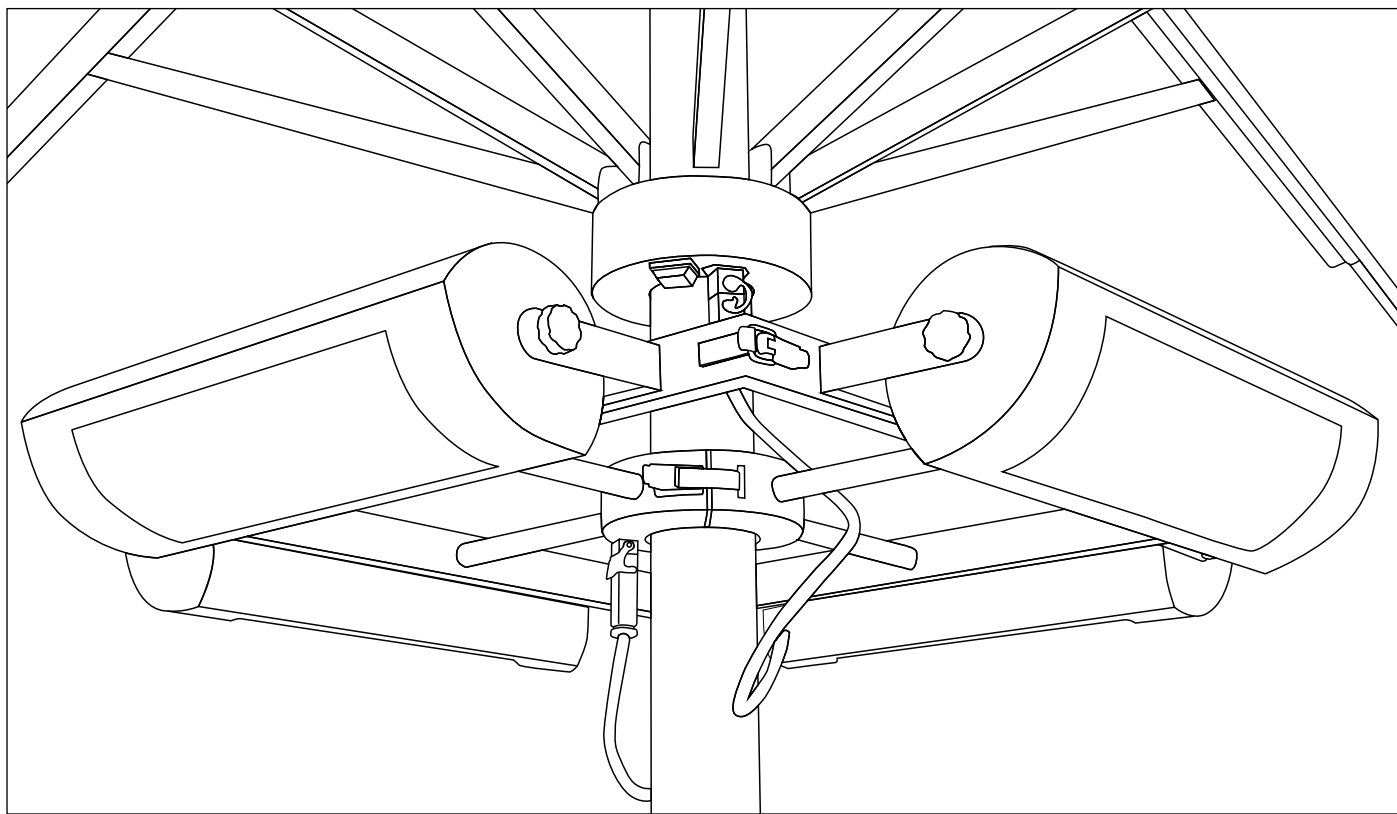


Using the remote control is an alternative.

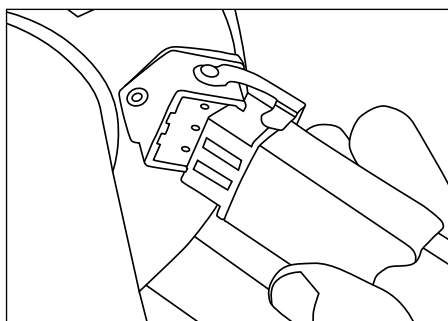
### WARNING:

**The connection cable must be put in a way making it impossible to be damaged or stumbled across.**

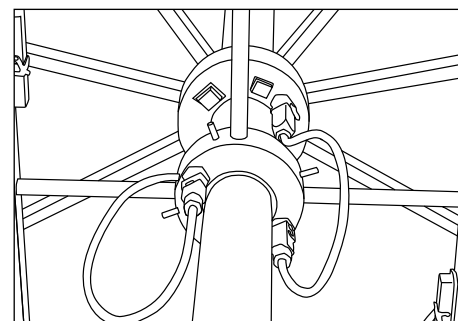
## ATTACHMENT OF THE HEATERS TO THE MAST



Put the bracket around the mast.



Connect the hub of the umbrella and the Solamagic heaters with the cable that was delivered with the heaters.

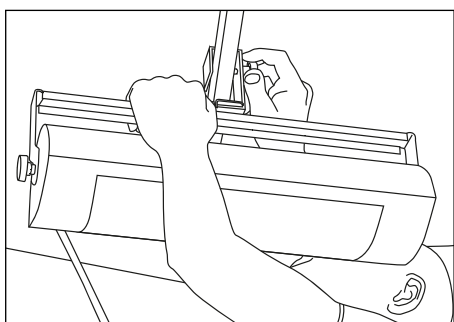
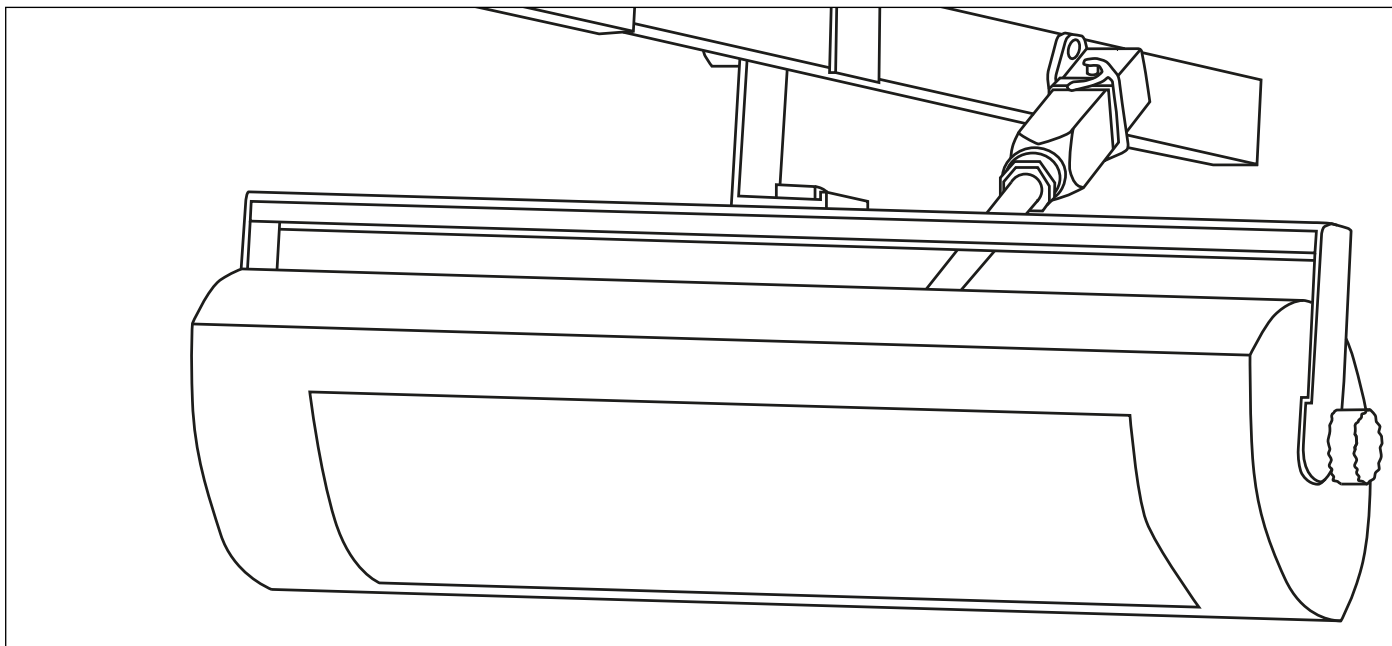


The heaters are now ready to be used. Use the central switch to turn them on and off.

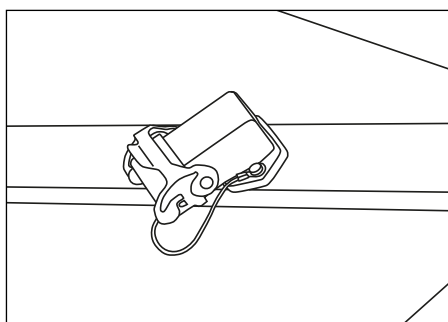
### **WARNING:**

**The connection cable must be put in a way making it impossible to be damaged or stumbled across.**

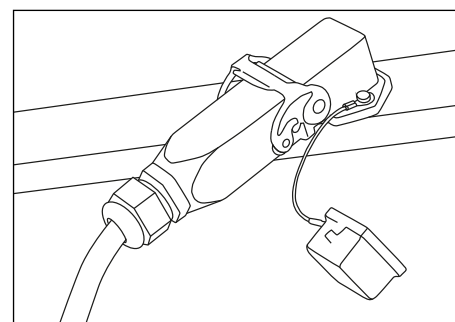
## ATTACHMENT OF THE HEATERS TO THE STRUTS



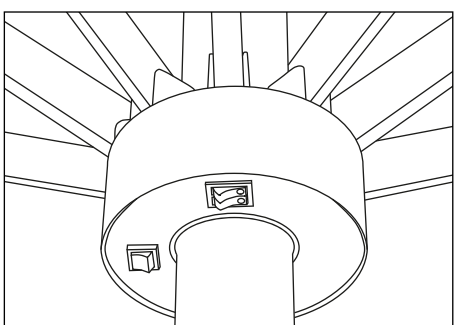
Mount the heater on the strut and fix it with the screw.



Remove the protection cap from the power supply on the end of the strut.



Connect the plug with the socket and secure it with the clamp.



The heaters are now ready to use. Depending on the model, it is possible to switch the heaters on and off either on the mast or directly on the heater itself.

**CAUTION:**

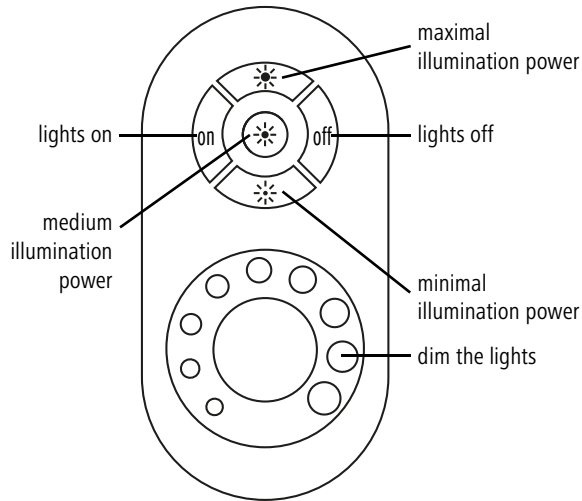
**The heaters have to be cold before closing the umbrella. Hot heaters might damage the fabric at contact!**

**Please note the Solamagic manual as well!**

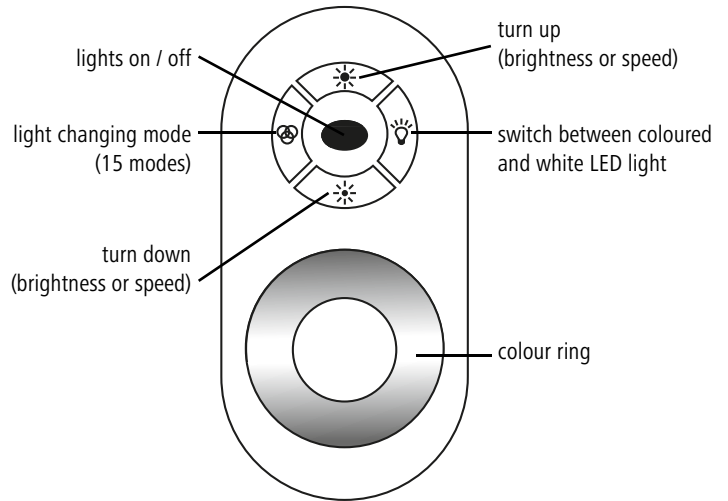
# ELEGANCE - REMOTE CONTROL FOR A SINGLE UMBRELLA

Please switch on the lights at the mast before using the remote control. It is not possible to use the remote control before the light is switched on manually. With the remote control it is possible to dim the lights and to switch them on and off. 3 AAA batteries are required to operate the remote control. The signal range of the remote control is approximately 20 m (65 feet).

remote control white LED lights

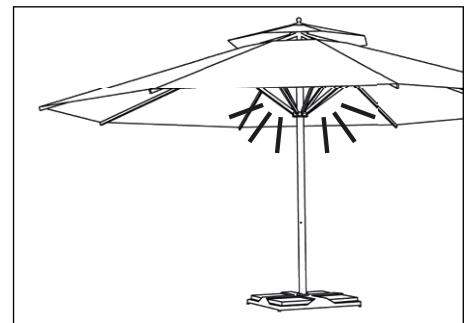
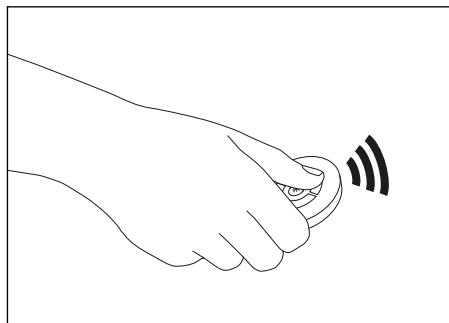
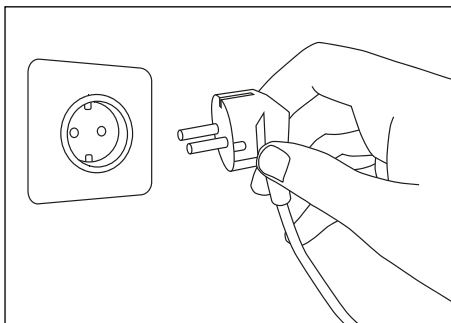


remote control coloured and white LED lights



## Reprogramming the remote control:

To group several umbrellas or to adjust the substitutional remote control, proceed as follows:



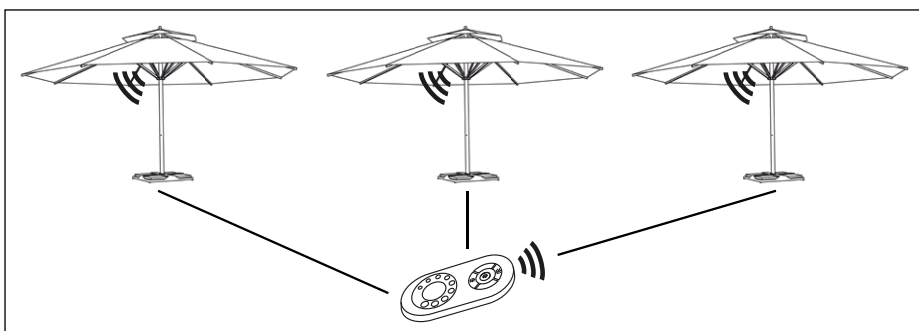
Put the plug into the socket. Watch out for appropriate connection with 230V or 400V. Switch on the light by pushing the main switch at the hub.

**remote control white LED lights:** Immediately press „maximal illumination power“ for 3 seconds.

**remote control coloured LED lights:** turn up (brightness or speed)

If reprogramming of the remote control worked, the LED are blinking three times.

## Grouping of several parasols:



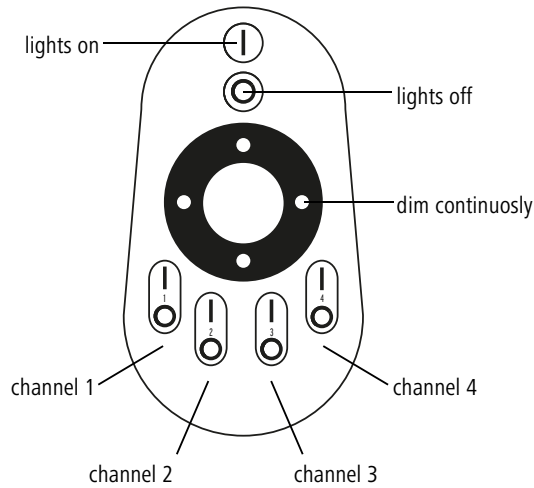
You can control several umbrellas with a single remote simultaneously. Therefore all umbrellas have to be adapted to a single remote control.



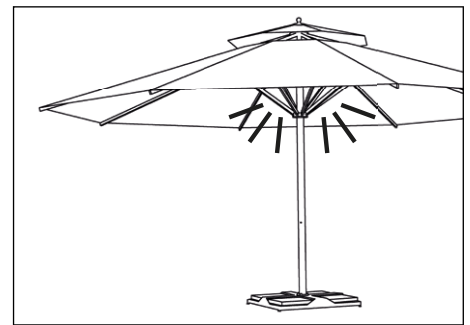
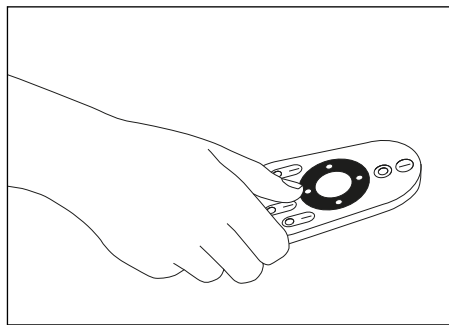
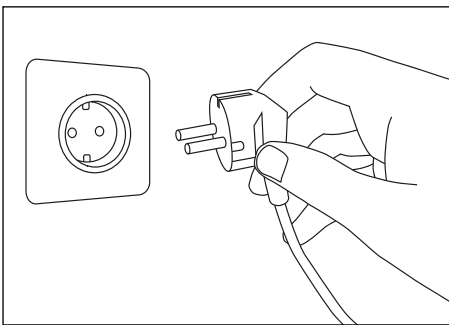
# ELEGANCE - REMOTE CONTROL FOR MULTIPLE UMBRELLAS

(OPTIONAL)

As an option, it is possible to dim and to switch on and off the lights for multiple umbrellas with a single remote control. This feature has to be installed during production and cannot be implemented afterwards. 3 AAA batteries are required to operate the remote control. The remote control allows to operate the lights for each single umbrella or for multiple umbrellas at once. The signal range of the remote control is approximately 20m (65feet).



## How to put strut light and remote control into operation:

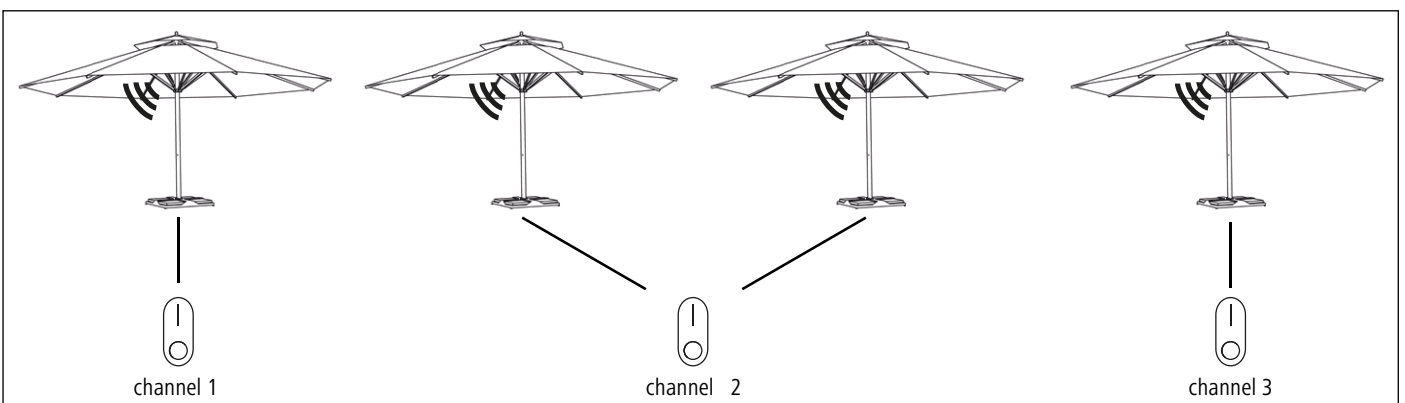


Put the plug into the socket. Watch out for appropriate connection with 230V or 400V. Switch on the light by pushing the main switch at the hub.

Immediately press „lights on” and desired „channel on” at the same time for 3 seconds.

As a result the strut lights are blinking three times. They can now be operated with the respective channel.

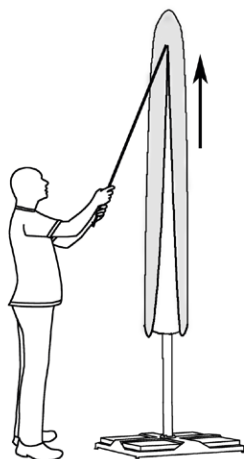
## How to manage single umbrellas via channels with the remote control:



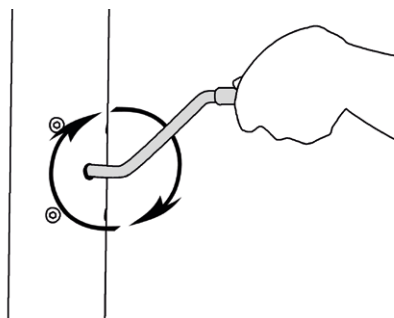
The remote control enables to operate different umbrellas simultaneously.

Assign different channels (1-4) to umbrellas to enable independent operating.

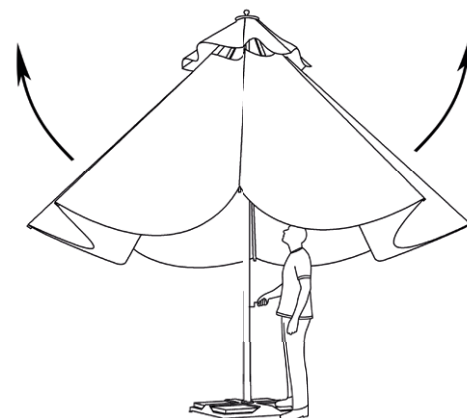
## OPENING THE UMBRELLA



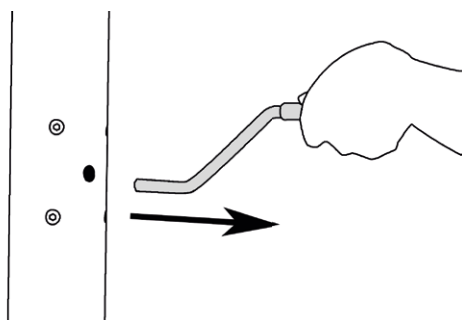
Remove the protection bag, if not done already, and the binding belt.



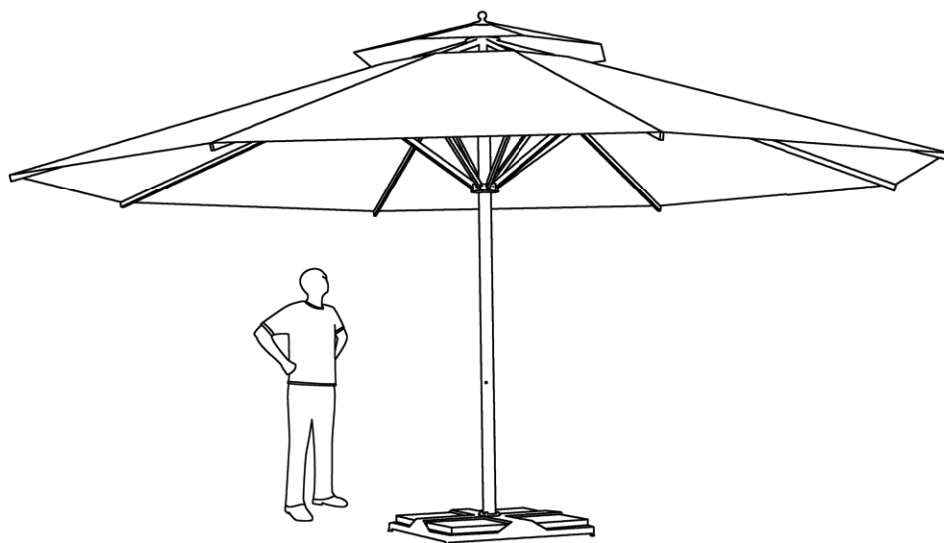
To open the shade, insert the crank handle into the hole of the umbrella. Turn clockwise.



The umbrella will open slowly.



Remove the crank for safety purposes (for example if children are around or to prevent theft in public places)

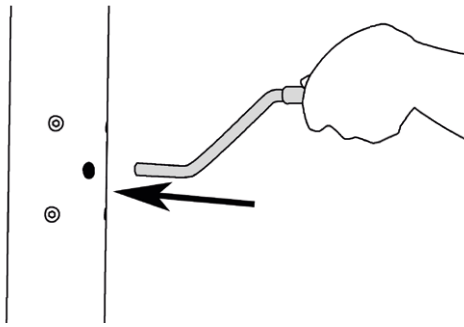


**CAUTION:**  
**IF THE UMBRELLA DOES NOT OPEN EASILY,**  
**DO NOT USE FORCE!**

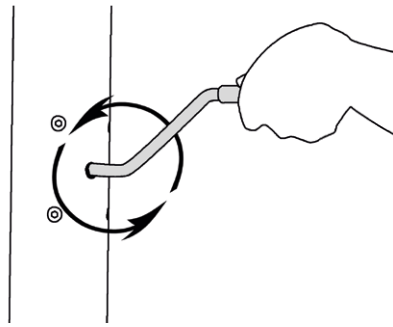
If the umbrella does not open immediately close the umbrella. Loosen the struts once more, make sure that none of them have folded inward. Try to open the umbrella once again. If the error cannot be detected please contact your dealer or the CARAVITA customer service.

**DO NOT USE FORCE!**

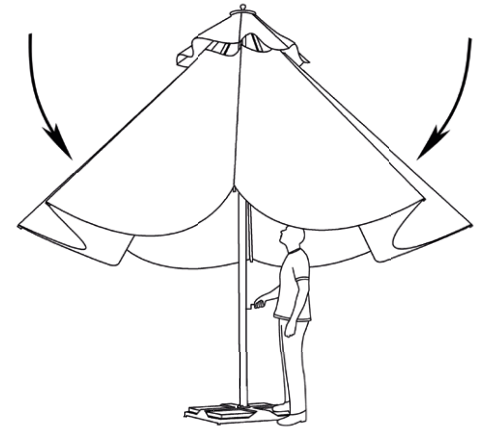
## CLOSING THE UMBRELLA



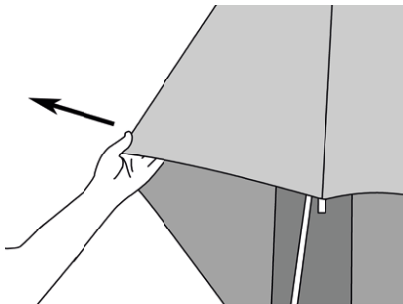
Insert the crank handle into the hole of the umbrella.



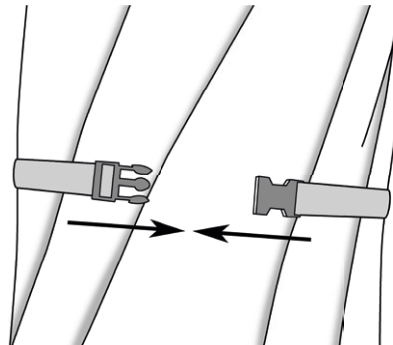
To close, turn the crank handle counter-clockwise.



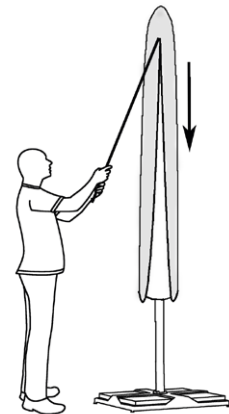
The umbrella will close slowly.



Before closing the umbrella completely, pull out the fabric from between the struts and fold it around the umbrella so it cannot be damaged from getting caught between the struts.



Secure the cover with the binding belt to keep from moving around in the wind. Movement in the canopy cover can chafe and can wear itself through at the frame.



Pull the protective bag over the umbrella. The optional push-rod can be used to assist in installing.

## STORING THE UMBRELLA

### 1. Freestanding

It is recommended to secure the canopy cover from moving in the wind with the binding belt and to pull the protective bag over the umbrella. Movement in the canopy cover can chafe and can wear itself through at the frame. This is not covered by the warranty. If the protective bag is used, the umbrella should be completely dry. If the cover is wet, mold and mildew can form.

If you do not have a ground sleeve/permanent stand, be warned, that even a closed umbrella can be blown over with very high winds. Make sure that the stand is sufficiently ballasted or store the umbrella horizontally in a dry room.

### 2. Storage

Store the umbrella in a dry and clean place, that is free of pests. The canopy cover should be completely dry to prevent mold or mildew from forming.

## MAINTAINING THE CANOPY

Wet umbrellas should never be stored or kept in their protection bags for long periods of time.

Fallen leaves and other foliage should be removed immediately to avoid staining or fungus growth on fabric.

Microorganisms (mold, bacteria, blue-green algae, algae) can develop if the conditions of trapped moisture, dirt and heat extended for long periods of time. In the past years many microcides, although very effective, have been banned by law in most countries of Western Europe because of their toxicity, and have been replaced by other less polluting microcides. These however, show different and generally more limited spectra of effect.

Dirt is best brushed off dry on a regular basis. Stains can be treated with lukewarm water and a soft brush. Treat stubborn stains by hand washing with some commercial mild detergent, rinse well with clear water, let dry and treat with water repellent if necessary afterwards. Speciality dealers may offer special liquid detergents, follow instructions carefully.

**WASH IN COLD WATER ONLY!**  
**DO NOT WASH IN WARM OR HOT WATER!**  
**Acrylic fabrics shrink even at low temperatures!**

## MAINTAINING THE FRAME

Wash the surfaces with water and mild detergent if necessary. Stainless steel parts can be brightened with commercial stainless steel polish. Lubricate all joints and rollers with oil or silicone spray.

Plus umbrellas should be cleaned periodically from all kinds of dirt.

## REPAIR WORK AND SPARE PARTS

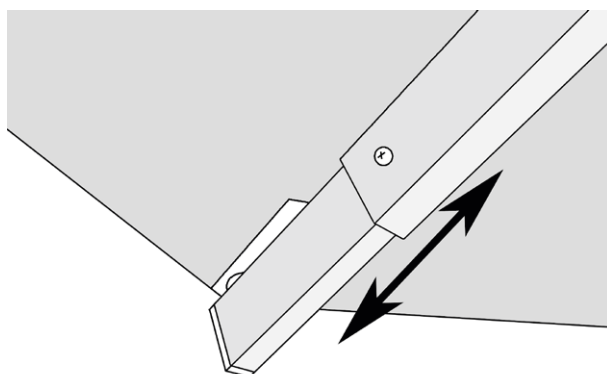
Sunshade BIG BEN LIGHT is constructed the way, that by correct handling and manipulation, it will be in use for many years. In case of any damages by wind or other harms, all spare parts are available.

In case of self made repairs – especially at the electricity, please use only original spare parts.

## TENSION ADJUSTMENT OF THE CANOPY

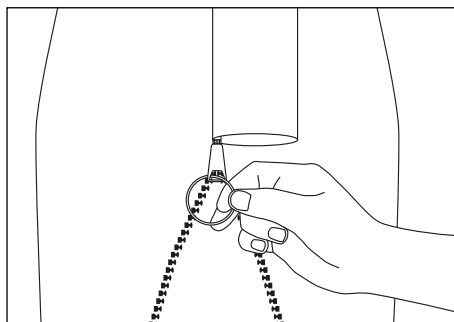
The acrylic awning fabric will stretch slightly over time. If your canopy becomes stretched, you can readjust the tension by pulling out the telescopic ends of the struts. See the following:

- 1 Remove the screws at the end of the telescopic strut.
- 2 Pull the telescopic ends out as far as possible.
- 3 Drill a new hole with a 3.5mm drill bit at the point of the telescopic tube where the set screw will now be placed.
- 4 Secure with screw.

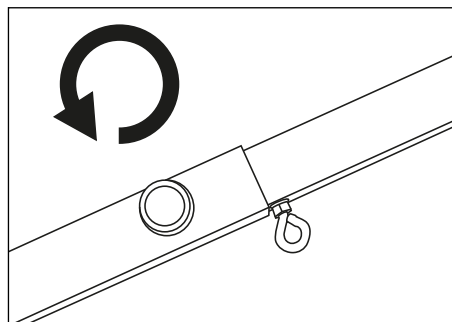


# USING THE TELESCOPIC PUSH ROD

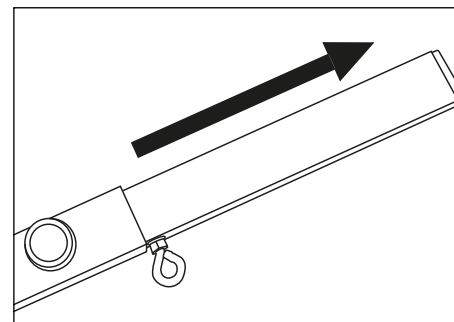
(Optional accessory)



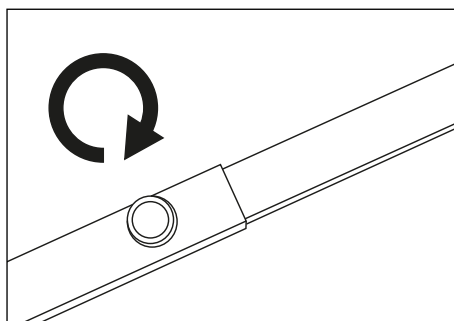
Attach the key ring to the zipper of the protection bag.



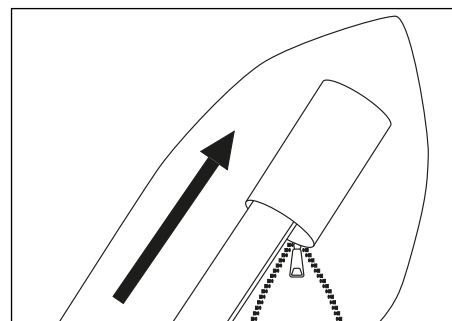
Open the knurled screw on the telescopic push rod.



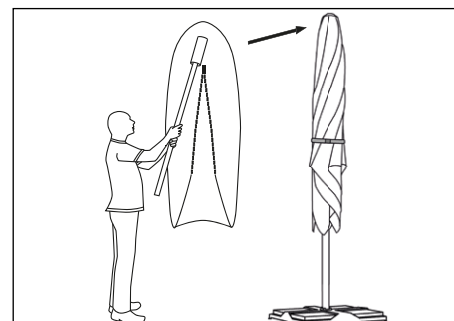
Extract the telescopic push rod to the proper length.



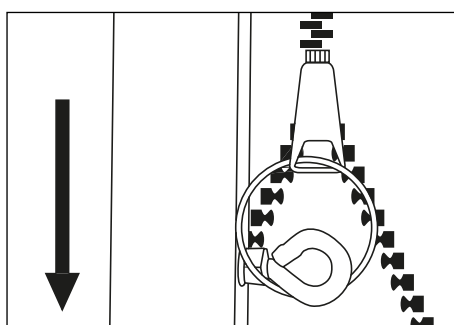
Seize the knurled screw on the telescopic push rod.



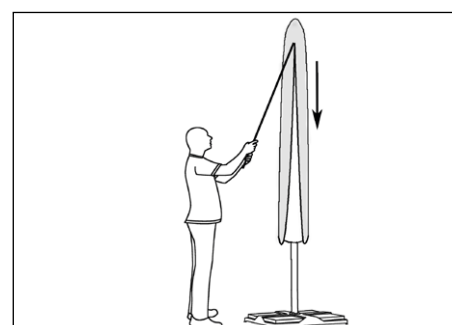
Reach into the pocket of the protection bag with the telescopic push rod.



Use the telescopic push rod to lift the protection bag over the umbrella.



Grab the key ring at the zipper with the eyebolt on the telescopic push rod.



Pull the zipper down.

## ATTENTION!

### **Do not use force to pull the zipper**

If the zipper is blocked, try to loosen it with slight movements forward and backward. If it is not possible to loosen the zipper, try to fix the problem by hand or remove the protection bag.

## WARRANTY CONDITIONS (EU)

CARAVITA Europe s.r.o. is proud to provide the customer an extended warranty for products expressly marked. The legal rights of the client are not going to be restricted by this warranty.

**The following warranty conditions apply:**

### **WARRANTOR:**

CARAVITA Europe s.r.o., Trencianska, 827/81, 01851 Nova Dubnica, Slovakia;  
Tel.:+49-8458-60389-23. Email: sales@caravita.eu  
More contact details on our website: www.caravita.eu

### **EXTENT OF WARRANTY:**

#### **Timed:**

5 years from the delivery of the goods with the exception of electrical and transmission equipment. This warranty is granted for 2 years.

#### **Geographical:**

All member states of the European Union

#### **Objective:**

Warranty case is accepted, if the product shows failure of function, material or processing, which was not caused by wind, hail, snow etc., or inappropriate handling or storage. Purchaser has the option either to receive replacement parts, or to send the faulty product to our warehouse for repair. Replacement parts and repairs shall not be invoiced; incurred transport cost will be at the expense of the purchaser. If identical replacement parts are no longer available, the purchaser will receive similar parts that are appropriate for the required function. Advanced claims of the warranty, especially of cancellation, reduction or compensation for damages, are excluded.

#### **Warranty protection:**

It should be disclosed in advance, if the product case is covered by warranty or not. For this purpose a detailed picture(s) or similar proof should be submitted. We ask that customers discuss any potential warranty case first by phone, and not to send any goods to us without advance notice. As proof of eligibility of warranty a copy of the invoice is required. Upon examination or testing emerge that the reported defect on the product is not eligible for a warranty claim, we reserve the right to charge the purchaser the cost of examination of the product.

#### **Warranty exclusion:**

Warranty claims are excluded if the product is damaged or destroyed due to the effects of force majeure or due to environmental influences such as wind, hail, snow, frost etc., if the product was stored or operated under conditions that do not comply with those stated in the technical specifications, or if damage is caused by incorrect or inappropriate handling, in particular by non-compliance with the operating instructions or by modifications of the product, as well as by common usage, which does not affect the functionality of product.

The above warranty conditions are valid and in addition to statutory rights of the customer and are no restriction to the rights of the customer.

# WARNUNG!

**Unsachgemäße Handhabung dieses Schirmes kann zu Sachbeschädigungen und schweren Verletzungen führen. Deshalb raten wir dringend diese Bedienungsanleitung genau zu lesen und zu befolgen und die folgenden Warnhinweise zu beachten:**

- Benutzen Sie den Schirm nicht bei starkem Wind!
- Bei Gewittern den Schirm nicht benutzen und sich nicht unterstellen!
- Nicht auf den Schirm klettern oder sich daran hängen!
- Kinder nicht unbeaufsichtigt in der Nähe des Schirmes lassen!
- Den Schirm nur zu seinem vorgesehenen Zweck benutzen!
- Den Schirm nicht ohne geeigneten Standfuss verwenden!
- Den Schirm und seine Konstruktion nicht modifizieren!

**Das nicht Beachten der Warnhinweise und der Bedienungsanleitung kann zu Sachbeschädigungen und schweren Verletzungen führen. Der Hersteller verweigert jede Haftung bei unsachgemäßem Gebrauch des Produkts.**

## SICHERHEITSANWEISUNGEN

### Beim Anschluss bitte beachten:

**Sollte das Anschlusskabel beschädigt werden, muss dieses durch ein Original-Ersatzkabel von CARAVITA ersetzt werden, oder von einem Fachbetrieb repariert werden. Im Falle von Fehlfunktionen elektrischer Bauteile verlangen Sie bitte unsere Originalersatzteile.**

- Benutzen Sie keine Adapter oder Mehrfachstecker.
- Schließen Sie den Schirm nur mit dem original von CARAVITA gelieferten Anschlusskabel an oder lassen Sie den Anschluss von einem Fachbetrieb ausführen.
- Lassen Sie Änderungen, Umbauten am Schirm, den elektrischen Bauteilen oder den Anschlusskabeln nur von qualifiziertem Fachpersonal vornehmen.

### Sie gefährden Ihr Leben und das Anderer !

### Achtung bei Wind!

Der Großraumschirm Big Ben ist wetterfest und kann das ganze Jahr draußen bleiben. Bei Schnee und starkem Wind sollte der Schirm geschlossen werden. Lassen Sie den Schirm daher nicht unbeaufsichtigt geöffnet. Schließen Sie den Schirm bei starkem Wind oder wenn er nicht benötigt wird und schalten Sie bei BIG BEN LICHT die Stromzufuhr ab.

**Der Hersteller übernimmt keine Gewähr und Haftung für Schäden die durch Wind, Schnee oder Vandalismus hervorgerufen wurden.**



## ENTPACKEN DES SCHIRMES

Prüfen Sie den angelieferten Karton auf Beschädigungen wie Druckstellen, Eindellungen, Risse oder Löcher. Sofern der Karton eine dieser Beschädigungen aufweist, diese bitte sofort bei Ihrem Fachhändler, dem anliefernden Spediteur oder der CARAVITA Hotline\* (+49 (0)8458 603890) reklamieren.

Die Klebebänder und Kunststoffbänder bitte vorsichtig mit einem Messer aufschneiden ohne dabei den Schirm im Karton zu beschädigen.

**Den Karton selbst bitte nicht zerschneiden oder zerreißen sondern vorläufig aufbewahren. Er lässt sich leicht zusammenfalten und platzsparend im Keller oder in der Garage aufbewahren.**

## INHALT

Bitte prüfen Sie bei Erhalt der Lieferung genau ob das Produkt vollständig und unbeschädigt ist. Neben dem Schirm selbst umfasst die Lieferung folgendes Zubehör:

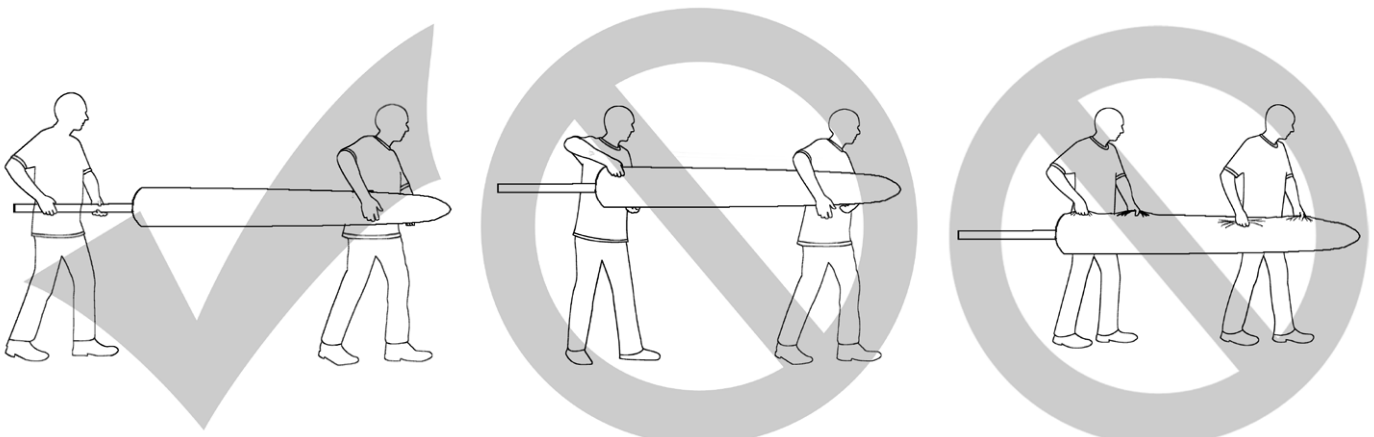
- Bedienungsanleitung
- Kurbel
- Deckkappe und Zierkugel
- Abdeckgehäuse für Stecker

## GARANTIE

Die CARAVITA GmbH gewährt auf dieses Produkt, bei ordnungsgemäßer Handhabung 5 Jahre Garantie. Ausgenommen sind die Elektroinstallationen und das Getriebe, auf welche eine Garantie von 2 Jahren gewährt wird. Weitere Informationen entnehmen Sie bitte den detaillierten Garantiebedingungen im Anhang.

## TRANSPORTIEREN DES SCHIRMES

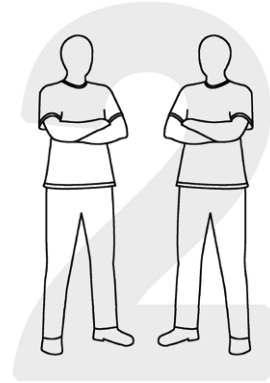
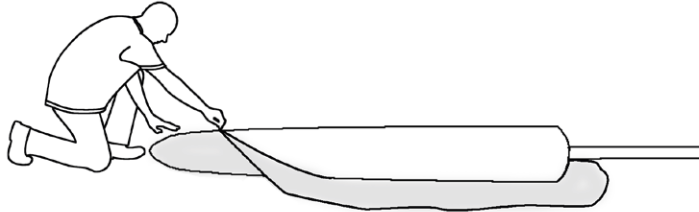
Der Schirm lässt sich am besten zu zweit transportieren. Je eine Person trägt ein Ende des Schirmes. Dazu den Schirm bitte mit beiden Händen umgreifen. **Den Schirm nicht an der Schutzhülle oder am Schirmbezug herumzerren.** Dies kann Risse hervorrufen. **Den Schirm nicht an einzelnen Schirmstreben tragen.** Diese können dadurch verbiegen.



# AUFSTELLEN DES SCHIRMES

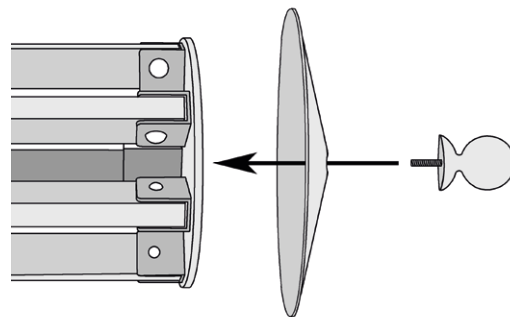
Bitte den mobilen Standfuss oder die Bodenhülle, nach der entsprechenden Anleitung vorbereiten und das Montagematerial bereitlegen. Der mobile Fuss sollte mit ausreichend Ballast belegt sein.

Bitte jetzt die Schutzhülle entfernen, wenn Sie keine Schubstange mitbestellt haben, mit welcher Sie die Schutzhülle auch bei stehendem Schirm entfernen können.



Zur Sicherheit sollten min. 2 Personen den Schirm aufstellen.

Montieren Sie nun die mitgelieferte Deckkappe an der Spitze des Schirms.



Sehr große Schirme können bis zu 100kg haben. Vorausschauend und vorsichtig arbeiten um Gefahren zu vermeiden.

**Bei sehr großen Schirmen zu dritt arbeiten.**

Vor dem Senkrechtstellen des Schirmes bitte dafür sorgen, dass keine Personen, die verletzt oder Gegenstände, die beschädigt werden können, in Reichweite des Schirmes sind.

Beachten Sie bitte, dass der Schirm sehr lang ist und daher schwer in Balance zu halten ist sobald er aufrecht steht. Deshalb sehr vorsichtig vorgehen damit Ihnen der Schirm nicht entgleitet und Personen verletzt werden.



**1)** Schrauben Sie eine der 5 Flanschschrauben (M10x25) in das mittlere Loch, so dass sie noch 10mm übersteht. Bitte dieses Maß unbedingt einhalten.

**2)** Legen Sie den Schirm mit dem unteren Mastende in Richtung Bodenverankerung auf den Boden.

**3)** Heben Sie den Schirm an und fädeln Sie den Gleitschuh am unteren Mastende in die Mittelschraube ein. Drücken Sie den Schirm dann mit beiden Händen nach oben bis er senkrecht steht (siehe Bild).

**VORSICHT! - den Schirm nicht loslassen er kann immer noch umfallen.**

**4)** Den Schirm von einer zweiten Person mit der Bodenverankerung verschrauben lassen. Verwenden Sie dazu die 4 Schrauben (M10x35) mit Beilagscheiben. Die Schrauben aber noch nicht festziehen.

**5)** Den Schirm ausrichten und dann die Schrauben festziehen.

Die an den Streben befestigten Kunststoffnetze dienen dem Schutz des Schirmes gegen Transportschäden und können bei geöffnetem Schirm mit einem Messer oder einer Schere vorsichtig entfernt werden. Achten Sie darauf den Schirm dabei nicht zu beschädigen.

# BESCHREIBUNG DER LEUCHTEN UND DER ELEKTRISCHEN BAUTEILE

Die Beleuchtung Elegance besteht aus an den Stützstreben befestigten LED-Strips in Alugehäuse mit Diffusor. Die Verkabelung ist im Mast integriert. Die LED-Dichte beträgt 120 pro lfm (RGB: 60 LED/lfm).

Das Verteilergehäuse befindet sich unterhalb des unteren Strebenkranzes. Die vom Boden kommende Stromleitung wird hier über die Schirmstreben zu den Leuchten geführt. Das Verteilergehäuse ist abgedichtet. Der Schalter für die Leuchten und/oder Heizungen befindet sich auf der Unterseite des Gehäuses.

Für Big Ben mit integrierter Beleuchtung erfolgt der Stromanschluss über 230V/50Hz und 16A Absicherung!

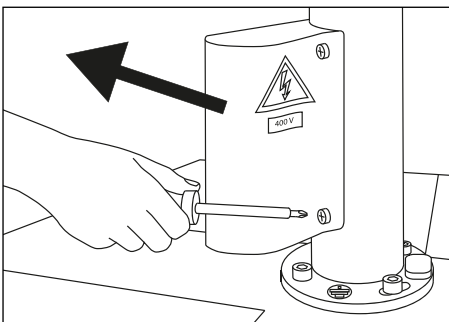
Für Big Ben mit integrierter Beleuchtung und Verkabelung für Heizstrahler Solamagic erfolgt der Stromanschluss über 400V/50Hz und 16A Absicherung!

## WICHTIG:

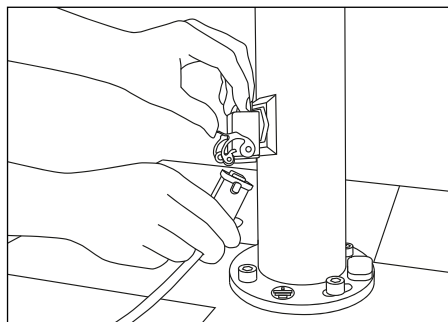
**Der Benutzer des Schirmes muss sicherstellen, dass die Zuleitung vor Beschädigungen geschützt ist.**

## ELEKTROINSTALLATION

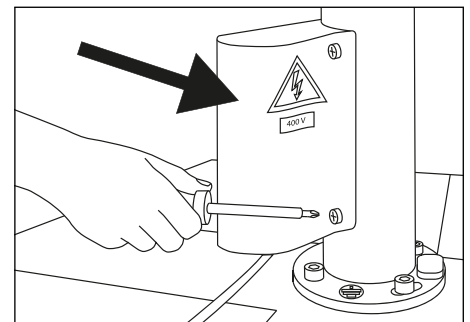
**Bitte den Schirm nur mit dem mitgelieferten Anschlusskabel mit Schuko-Stecker anschließen oder einen Fachmann für individuelle Anschlüsse beauftragen.**



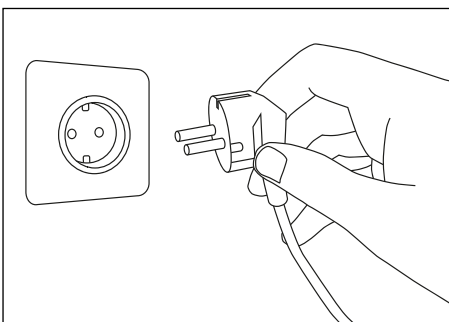
Schrauben Sie die Abdeckhaube, unter der sich die Dose für den Stecker befindet, ab.



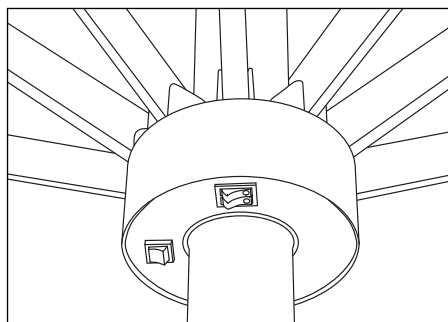
Stecken Sie den Stecker in die Dose und sichern Sie ihn mit dem Bügel.



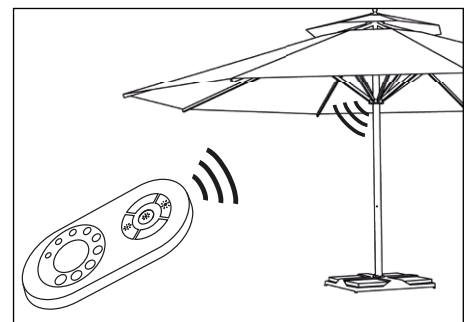
Schrauben Sie die Abdeckhaube wieder an.



Stecken Sie das andere Ende des Kabels mit dem Schukostecker in eine vorhandene Steckdose mit den nötigen Anschlusswerten 230V oder 400V.



Schalten Sie die Beleuchtung einfach am Schalter unterhalb des unteren Verbindungskranzes ein- bzw. aus.

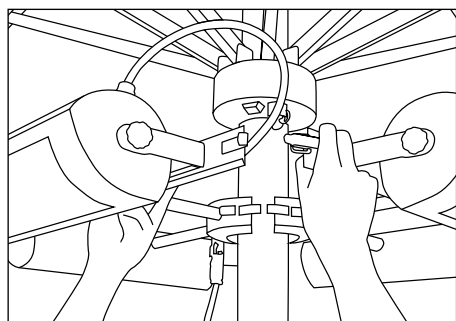
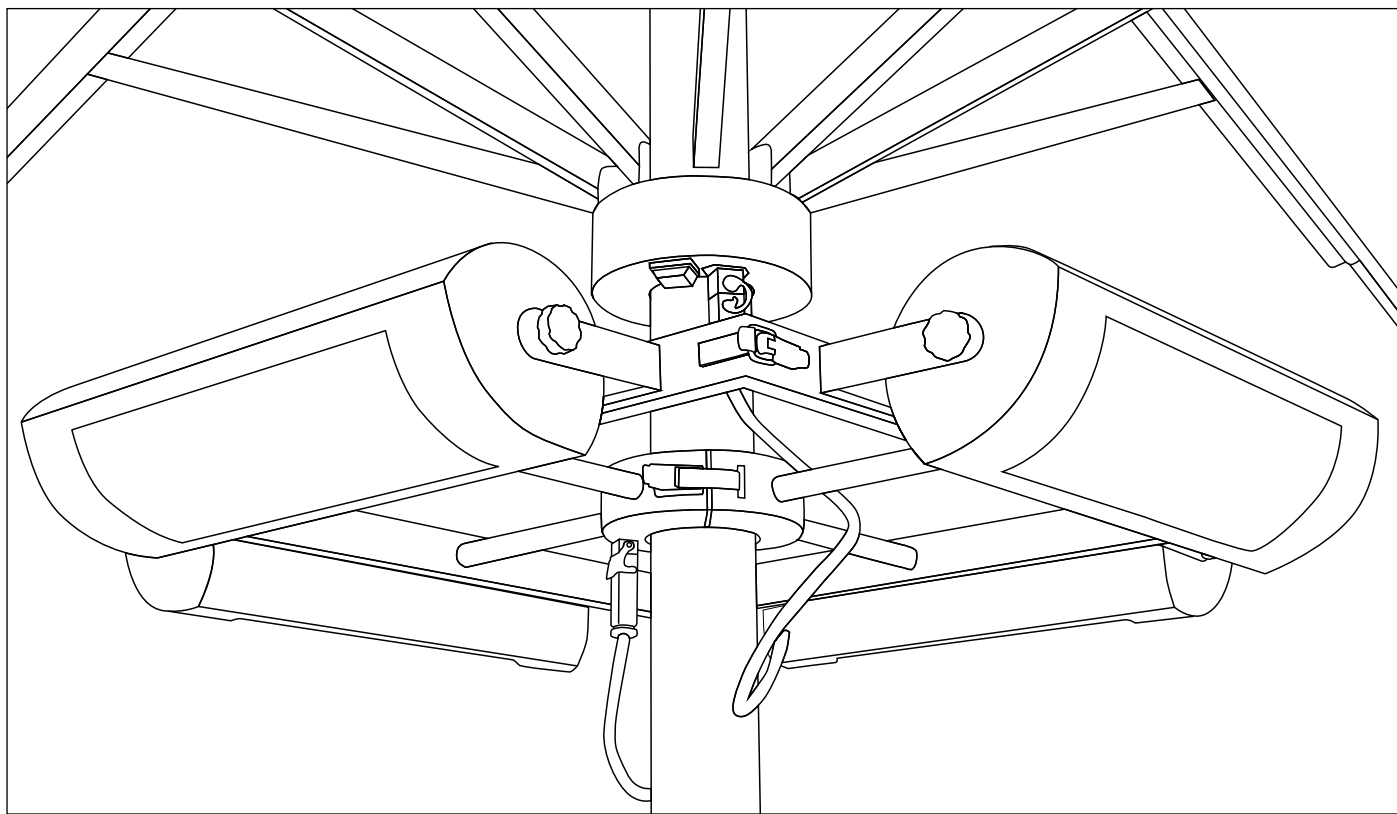


Alternativ können Sie dies auch per Fernbedienung tun.

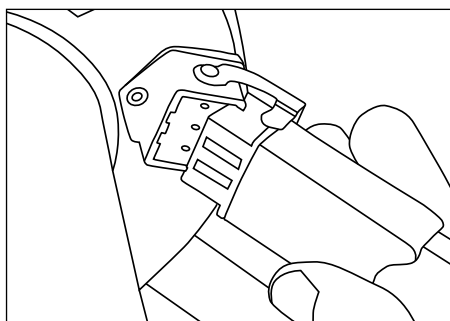
## ACHTUNG:

**Das Verbindungskabel muss so gelegt werden, dass es nicht beschädigt werden kann und keine Stolperfalle bildet.**

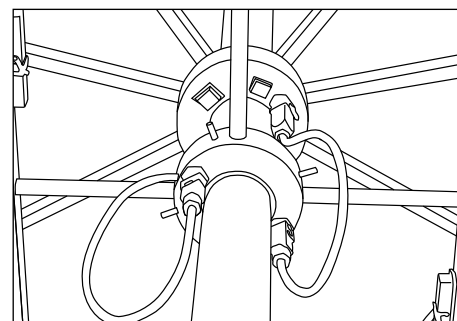
# ANSCHLUSS VON HEIZSTRAHLERN AM MAST



Legen Sie die Halterung um den Mast.



Verbinden Sie den Kranz des Schirms und die Solamagic Heizstrahler mit dem bei den Strahlern mitgelieferten Kabel.

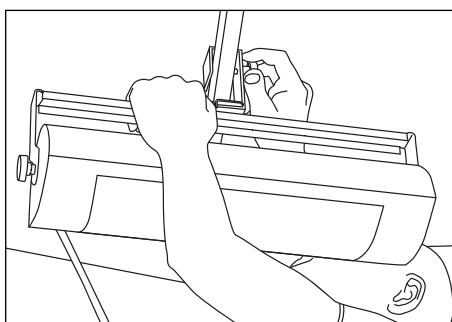
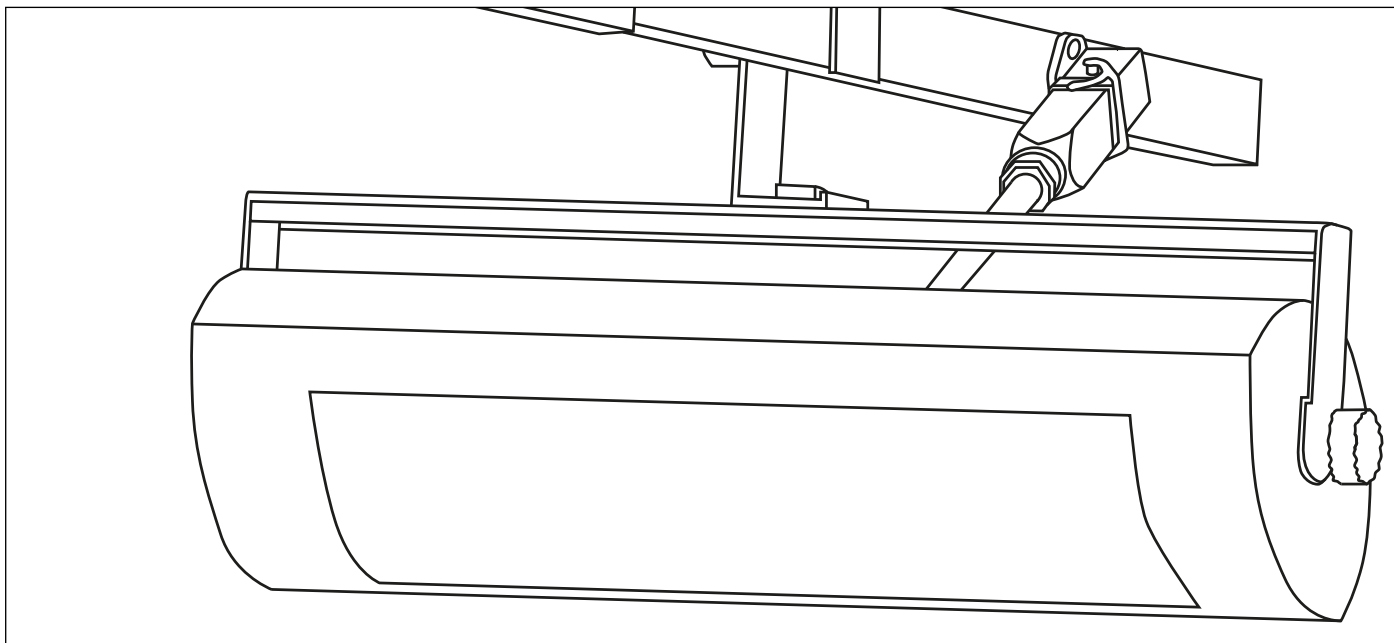


Die Heizung ist jetzt betriebsbereit. Sie können die Heizung bequem über den zentralen Schalter am Mast an- und ausschalten.

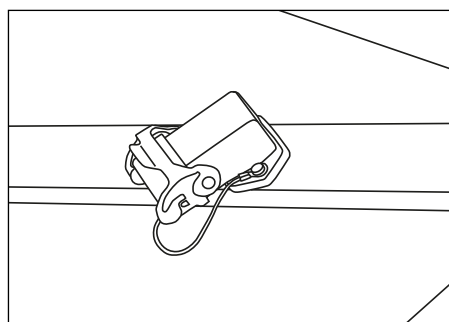
## ACHTUNG:

**Das Verbindungskabel muss so gelegt werden, dass es nicht beschädigt werden kann und keine Stolperfalle bildet.**

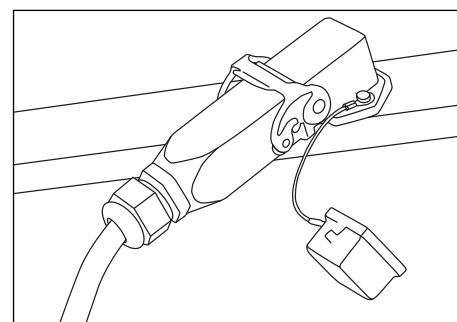
## ANSCHLUSS VON HEIZSTRAHLERN AN DEN STREBENENDEN



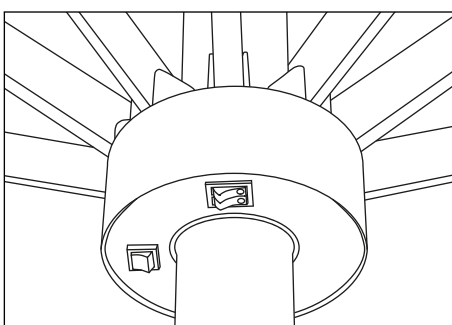
Hängen Sie die Heizung an der Strebe ein und fixieren Sie sie mit der Schraube.



Nehmen Sie die Schutzkappe vom Stromanschluss am Strebenende.



Schließen Sie den Stecker an und sichern Sie ihn mit dem Bügel.



Die Heizstrahler sind jetzt betriebsbereit. Je nach Modell können die Strahler am zentralen Hauptschalter, oder direkt am Heizstrahler, an- und ausgeschaltet werden.

### ACHTUNG:

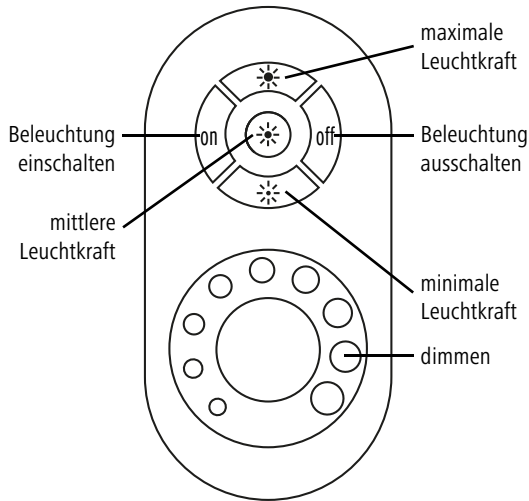
**Die Strahler müssen abgekühlt sein bevor der Schirm geschlossen wird. Heiße Strahler können den Schirmbezug bei Kontakt beschädigen!**

**Bitte beachten Sie auch die Bedienungsanleitung von Solamagic!**

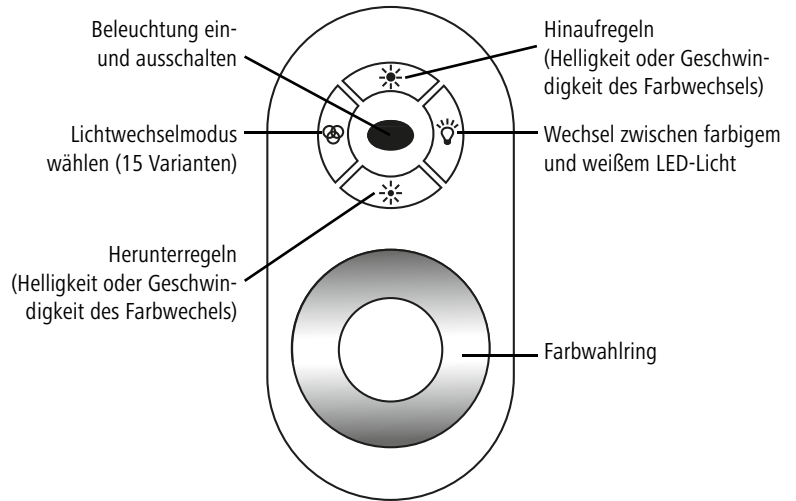
# ELEGANCE - BEDIENUNG FÜR EINEN SCHIRM

Bevor Sie die Fernbedienung benutzen, schalten Sie bitte die Beleuchtung am Hauptmast ein. Erst dann ist die Beleuchtungsregulierung mittels Fernbedienung möglich. Sie können die Beleuchtung Elegance mit der Fernbedienung dimmen sowie an- und ausschalten. Für den Betrieb der Fernbedienung sind 3 AAA Batterien notwendig. Die Reichweite beträgt 20 m.

## Fernbedienung weiße LED Beleuchtung

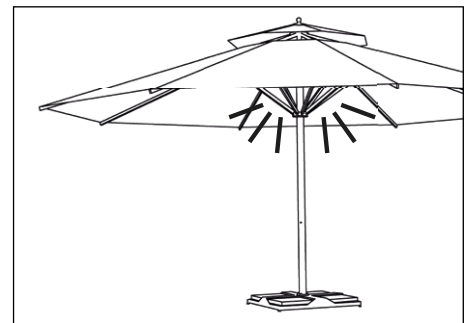
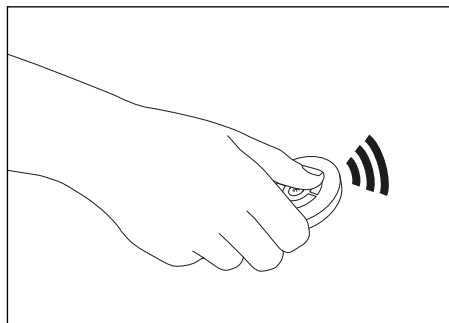
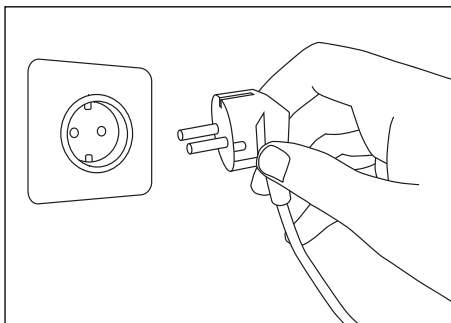


## Fernbedienung farbige und weiße LED Beleuchtung



## Neuprogrammierung der Fernbedienung:

Um mehrere Schirme zu gruppieren oder Ersatzfernbedienungen zu kalibrieren, gehen Sie bitte wie folgt vor:



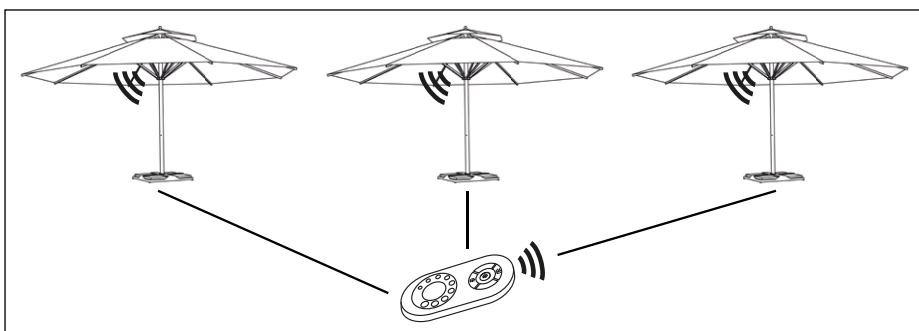
Stecken Sie das Kabel in eine Steckdose mit den nötigen Anschlusswerten von 230V bzw. 400V. Schalten Sie das Licht am Hauptschalter am Kranz ein.

**Fernbedienung weiße LED Beleuchtung:** Drücken Sie sofort für 3 Sekunden auf „maximale Leuchtkraft“.

**Fernbedienung farbige LED Beleuchtung:** Hinaufregeln (Helligkeit oder Geschwindigkeit des Farbwechsels)

Wenn die Neuprogrammierung funktioniert hat, blinken die LEDs drei mal auf.

## Gruppieren von mehreren Schirmen:

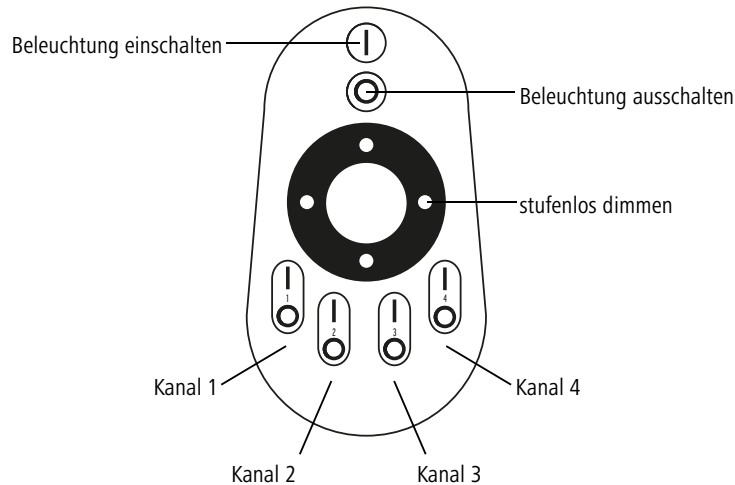


Sie können mit einer Fernbedienung verschiedene Schirme gleichzeitig bedienen. Dazu müssen alle Schirme auf eine Fernbedienung eingestellt werden.

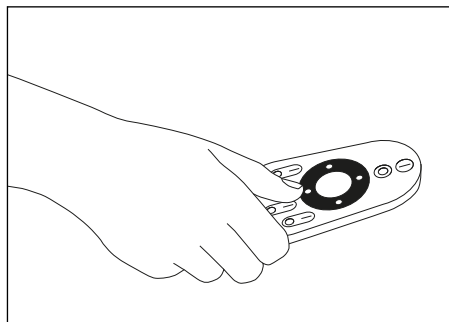
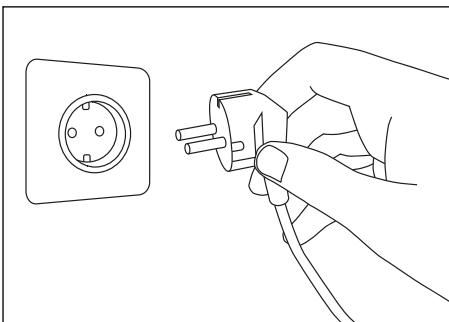
# ELEGANCE - BEDIENUNG BEI MEHREREN SCHIRMEN

(OPTIONAL)

Optional kann die Beleuchtung an mehreren Schirmen über eine einzelne Fernbedienung individuell gedimmt und an- bzw. ausgeschaltet werden. Die Einstellung dafür muss werksseitig am Schirm vorgenommen werden und ist nicht nachrüstbar. Für den Betrieb der Fernbedienung sind 3 AAA-Batterien notwendig. Mit der Fernbedienung kann die Beleuchtung der Schirme einzeln oder gemeinsam gesteuert werden. Die Reichweite der Fernbedienung beträgt ca. 20m.



## So nehmen Sie Strebenlicht und Fernbedienung in Betrieb:

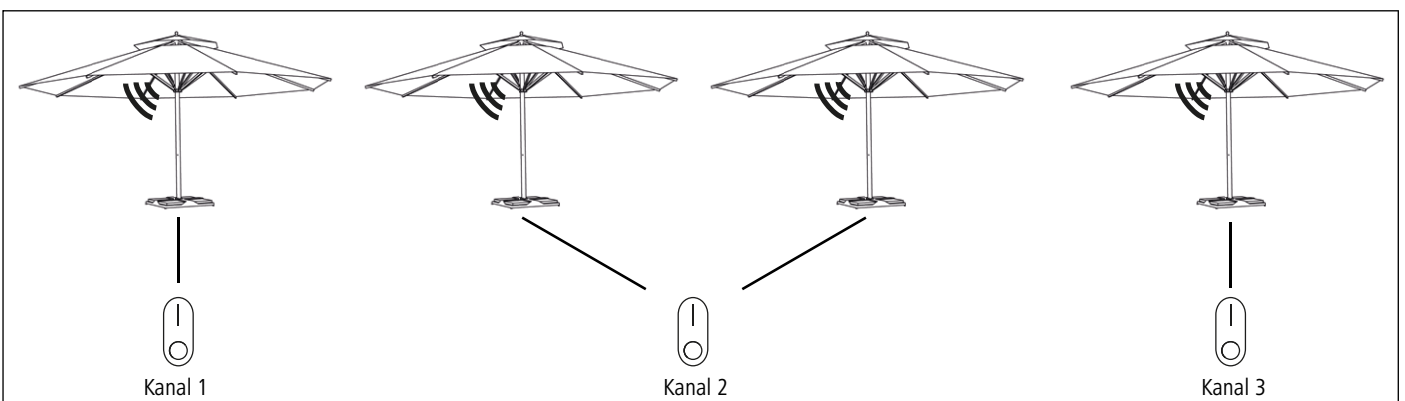


Stecken Sie das Kabel in eine Steckdosen mit den nötigen Anschlusswerten von 230V bzw. 400V. Schalten Sie das Licht am Hauptschalter am Kranz ein.

Drücken Sie sofort und gleichzeitig für 3 Sekunden auf „Beleuchtung einschalten“ und den gewünschten „Kanal einschalten“.

Daraufhin blinken die Strebenlichter dreimal. Sie können jetzt mit dem jeweiligen Kanal bedient werden.

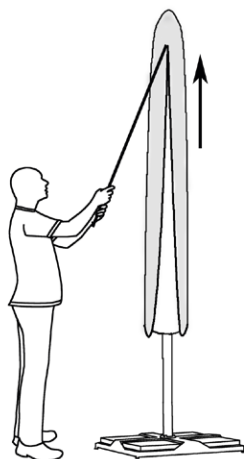
## So können Sie einzelne Schirme über die Kanäle mit der Fernbedienung steuern:



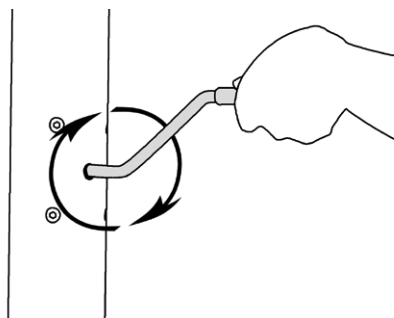
Sie können mit der Fernbedienung verschiedene Schirme gleichzeitig bedienen.

Weisen Sie Ihren Schirmen unterschiedliche Kanäle zu (1-4) um sie unabhängig voneinander ansteuern zu können.

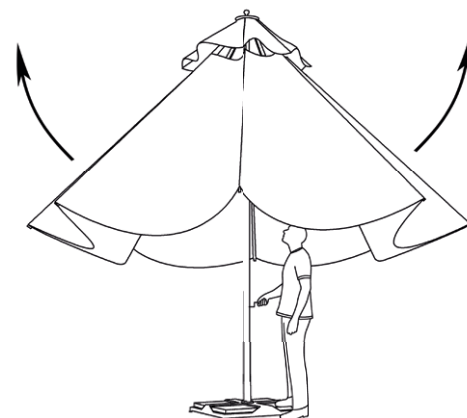
# ÖFFNEN DES SCHIRMES



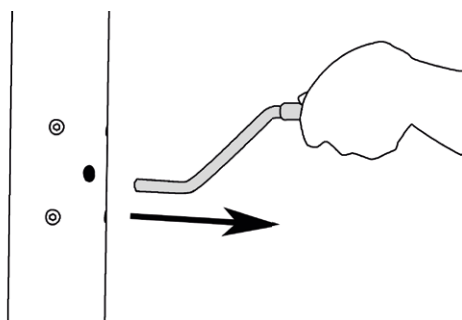
Entfernen Sie die Schutzhülle, wenn nicht schon geschehen, und den Bindergurt.



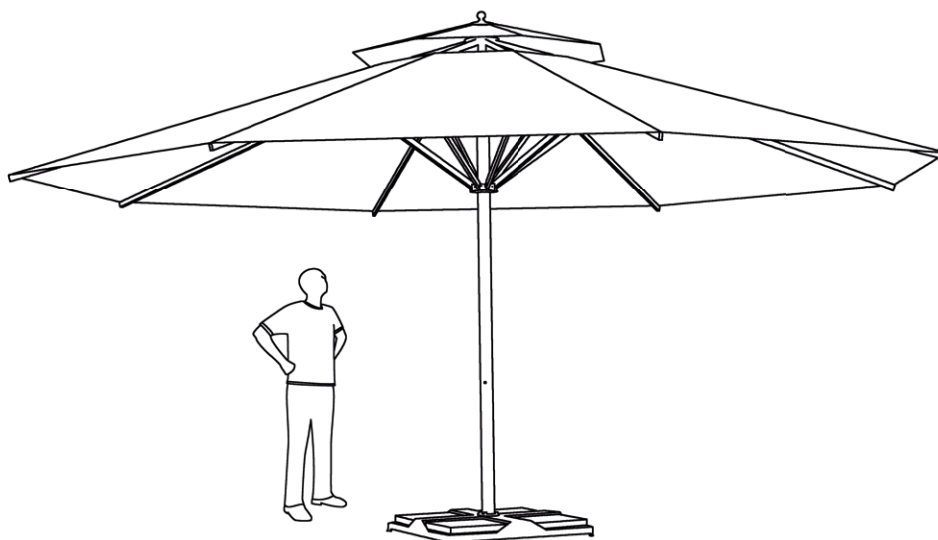
Stecken Sie die Kurbel in das dafür vorgesehen Loch am Schirmmast. Drehen Sie die Kurbel im Uhrzeigersinn.



Der Schirm öffnet sich langsam.



Entfernen Sie zur Sicherheit die Kurbel (z.B. falls Kinder in der Nähe spielen oder gegen Diebstahl in öffentlichen Räumen).



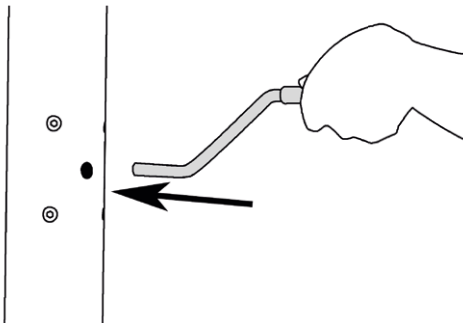
## ACHTUNG:

**Lässt sich der Schirm nicht ohne weiteres öffnen,  
keine Gewalt anwenden!**

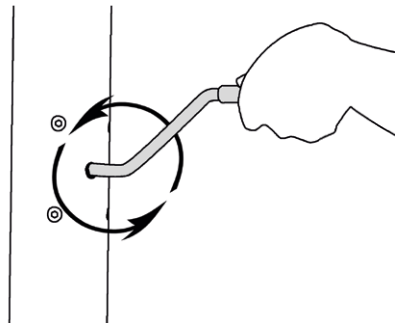
Schließen Sie den Schirm wieder. Lockern Sie nochmals die Schirmstreben. Stellen Sie sicher, dass keine nach Innen geklappt ist. Versuchen Sie nochmals den Schirm zu öffnen. Lässt sich der Fehler nicht ermitteln, bitte Ihren Fachhändler oder die CARAVITA Hotline anrufen.



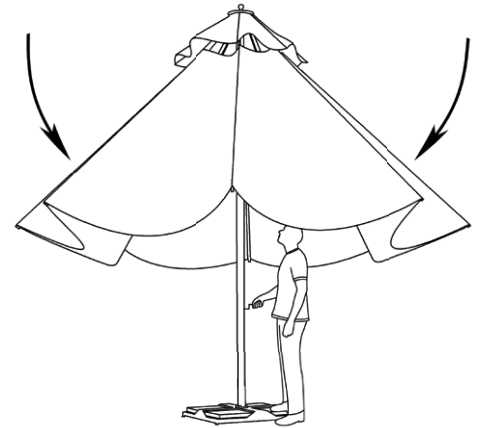
## SCHLIESSEN DES SCHIRMES



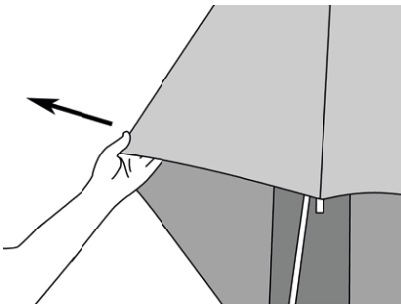
Stecken Sie die Kurbel in das dafür vorgesehene Loch am Schirmmast.



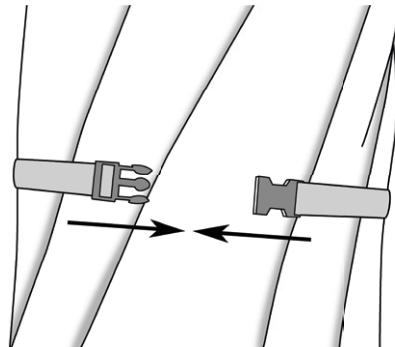
Drehen Sie die Kurbel gegen den Uhrzeigersinn.



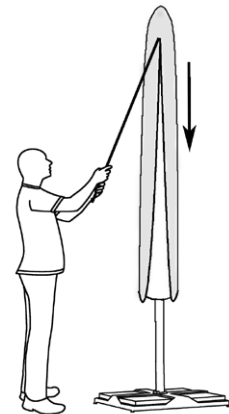
Der Schirm schließt sich langsam.



Bevor sie den Schirm vollständig schließen, ziehen Sie das Tuch zwischen den Streben heraus wie bei einem Regenschirm, damit es nicht zwischen den Streben eingeklemmt und beschädigt werden kann.



Sichern Sie die Plane mit dem Gurtband gegen wehen im Wind. Ein ständig flatterndes Tuch kann sich am Gestell durchscheuern.



Ziehen Sie die Schutzhülle über den Schirm. Die optionale Schubstange kann dabei von Hilfe sein.

## LAGERUNG DES SCHIRMES

### 1. Stehend im Freien

Es empfiehlt sich, das Tuch immer mit dem Gurtband gegen Flattern zu sichern und eventuell auch die Schutzhülle überzuziehen. Ein flatterndes Tuch kann sich am Gestell durchscheuern. Dies ist nicht von der Gewährleistung gedeckt. Wird die Schutzhülle übergezogen, sollte der Schirm absolut trocken sein. Ist das Tuch feucht kann sich Schimmel bilden.

Haben Sie keine feste Bodenverankerung, bitte beachten, dass auch ein geschlossener Schirm bei starkem Wind umfallen kann. Sorgen Sie für einen ausreichend schweren Ständer oder lagern Sie den Schirm horizontal in einem trockenen Raum.

### 2. Einlagerung

Lagern Sie den Schirm an einem trockenen und sauberen Ort, der frei von Mäusen ist. Das Tuch sollte absolut trocken sein um Schimmelbefall zu verhindern.

## PFLEGE DES TUCHES

Schirme nie über einen längeren Zeitraum in nassem oder feuchtem Zustand lagern oder in der Schutzhülle lassen.

Abgefallene Blätter (Laub) nach Möglichkeit sofort entfernen (Ausgangspunkt für mikrobiellen Befall).

Mikroorganismen (Schimmelpilze, Bakterien, Blaualgen, Algen) treten besonders dann auf, wenn die Faktoren Feuchtigkeit, Verschmutzung und Wärme gleichzeitig über einen längeren Zeitraum gegeben sind. In den letzten Jahren wurden zahlreiche Mikrozide, die zwar sehr gut wirksam waren, aufgrund der Toxizität (=Giftigkeit) durch Gesetze in nahezu allen Ländern Westeuropas verboten und durch andere, weniger umweltbelastende Mikrozide ersetzt. Diese weisen aber wiederum andere, im Regelfall begrenztere Wirkungsspektren auf.

Verschmutzungen werden am besten in regelmäßigen Abständen trocken ausgebürstet. Flecken können mit handwarmem Wasser und einer weichen Bürste behandelt werden. Hartnäckige Flecken durch Handwäsche mit etwas handelsüblichem Feinwaschmittel behandeln, gut mit klarem Wasser nachspülen, trocknen lassen und mit Imprägniermittel nachbehandeln. Vom Fachhandel werden flüssige Reinigungsmittel verschiedenster Art angeboten, Gebrauchsanweisung stets genau befolgen.

**NUR KALT WASCHEN !**  
**KEINESFALLS WARM ODER HEISS WASCHEN !**  
**Acryltücher laufen bereits bei niedrigen Temperaturen ein !**

## PFLEGE DES GESTELLS

Oberflächen mit schonendem Reinigungsmittel abwaschen wenn nötig. Edelstahlteile können mit handelsüblicher Edelstahlpolitur aufgefrischt werden. Sollten Geräusche an den Gelenken oder Rollen auftreten, etwas Sprühöl oder Silikon spray verwenden.

Bei Plus Schirmen sollte der Mast gelegentlich von Verschmutzungen gereinigt werden!

## REPARATUREN UND ERSATZTEILE

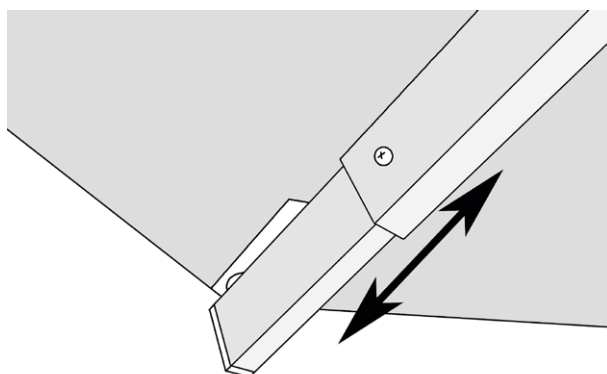
Ihr Big Ben wird Ihnen jahrelang zuverlässig dienen. Für den Fall das durch Wind oder andere Ereignisse der Schirm beschädigt wird, sind alle Ersatzteile verfügbar.

Verwenden Sie bei selbst durchgeführten Reparaturen, insbesondere an der Elektrik, nur original Ersatzteile.

## NACHSPANNEN DES TUCHES

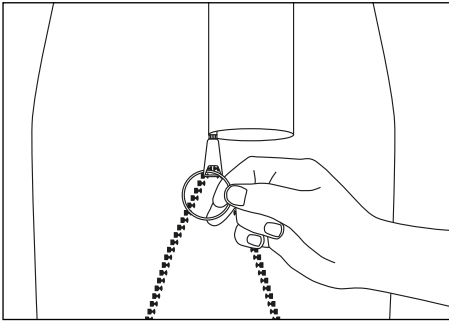
Das Acryl-Markisentuch dehnt sich nach geraumer Zeit etwas. Wenn Ihre Schirmplane nicht mehr den richtigen Sitz hat, können Sie durch Herausziehen der Teleskopenden der Schirmstreben wieder einen straffen Sitz der Plane erreichen. Gehen Sie dabei wie folgt vor:

- 1 Entfernen Sie die Schraube mit der das Teleskopende fixiert ist.
- 2 Ziehen Sie das Teleskopende so weit wie möglich heraus.
- 3 Bohren Sie dann ein neues Loch mit 3,5mm Durchmesser in das Teleskoprohr, an der Stelle, an der die Fixierschraube wieder eingedreht werden soll.
- 4 Drehen Sie die Fixierschraube in das neue Loch ein.

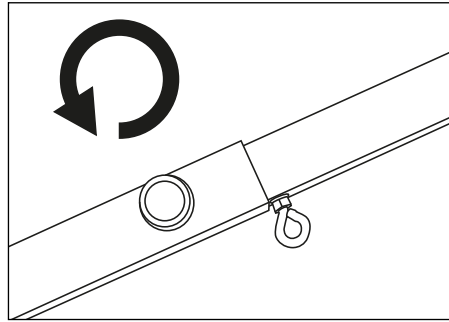


# NUTZUNG DER SCHUBSTANGE

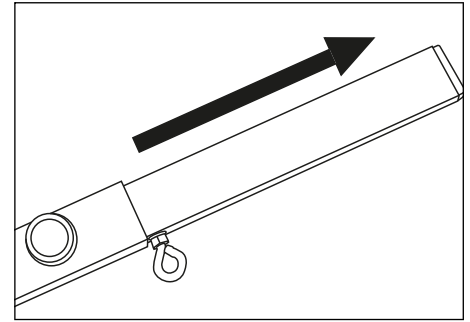
(Optional)



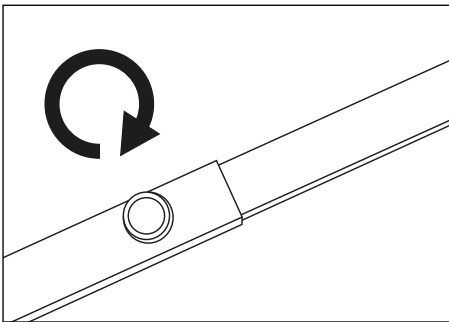
Befestigen Sie den Schlüsselring am Reißverschluss der Schutzhülle.



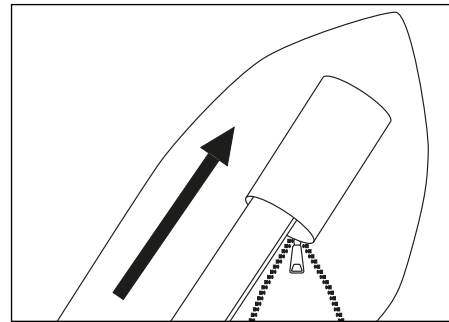
Öffnen Sie die Rändelschraube an der Teleskopschubstange.



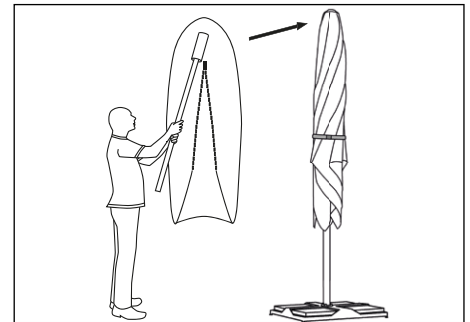
Ziehen Sie die Teleskopschubstange auf die passende Länge aus.



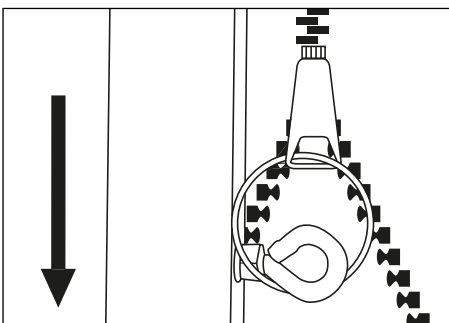
Drehen Sie die Rändelschraube an der Teleskopschubstange wieder fest.



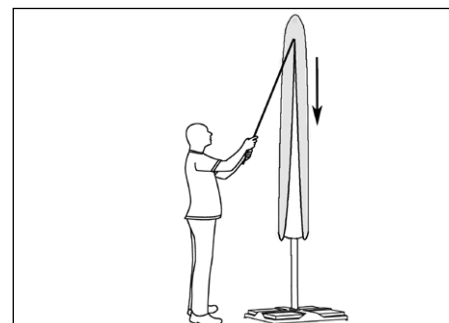
Greifen Sie mit der Teleskopschubstange in die Tasche der Schutzhülle.



Heben Sie die Schirmhülle mit Hilfe der Teleskopschubstange über den Schirm.



Greifen Sie mit der Ringschraube an der Schubstange in den Schlüsselring am Reißverschluss der Schutzhülle.



Ziehen Sie den Reißverschluss nach unten.

## ACHTUNG

### **Nicht mit Gewalt am Reißverschluss ziehen!**

Sollte der Reißverschluss klemmen, dann versuchen Sie ihn mit leichten Vor- und Rückwärtsbewegungen zu lösen. Sollte der Reißverschluss sich nicht lösen lassen, versuchen Sie das Problem von Hand zu beheben oder die Schutzhülle zu entfernen.

# GARANTIEBEDINGUNGEN

Die CARAVITA GmbH ist stolz darauf, ihren Kunden eine Garantie auf die entsprechend gekennzeichneten Produkte geben zu können. Die gesetzlichen Rechte des Kunden werden dabei durch die Garantie nicht eingeschränkt.

## **Es gelten nachfolgende Garantiebestimmungen:**

### **GARANTIEGEBER:**

CARAVITA GmbH, Hans-Wilhelm-Renkhoﬀ-Straße 2, D-97828 Markttheidenfeld;  
Tel.:+49-8458-60389-0. Email: [info@caravita.eu](mailto:info@caravita.eu)  
weitere Kontaktdaten auf unserer Homepage: [www.caravita.de](http://www.caravita.de)

### **GARANTIEUMFANG:**

#### **Zeitlich:**

5 Jahre ab Übergabe des Produktes. Ausgenommen sind die Elektroinstallationen und das Getriebe, auf welche eine Garantie von 2 Jahren gewährt wird.

#### **Räumlich:**

Alle Mitgliedsstaaten der Europäischen Union

#### **Sachlich:**

Ein Garantiefall ist gegeben, wenn sich am Produkt Funktions-, Material- oder Verarbeitungsfehler zeigen, die nicht auf äußere Einflüsse, wie Wind, Hagel, Schnee etc. oder unsachgemäße Handhabung oder Lagerung zurückzuführen sind. Der Kunde hat die Möglichkeit, sich entweder die benötigten Ersatzteile zusenden zu lassen, um die Reparatur selbst auszuführen, oder das Produkt zur Reparatur in unseren Werkstätten einzusenden. Reparatur und Ersatzteile werden nicht berechnet; anfallende Versandkosten hat der Kunde stets zu tragen. Sind identische Ersatzteile nicht mehr lieferbar, erhält der Kunde ähnliche, die Funktion erhaltende Ersatzteile. Weitergehende Ansprüche aus der Garantie, insbesondere auf Rücktritt, Minderung, Schadensersatzansprüche sind ausgeschlossen.

#### **Garantieschutz:**

Vorab ist stets zu klären, ob ein Garantiefall vorliegt oder nicht. Hierfür genügt oftmals bereits die Zusendung von aussagekräftigen Bildmaterial. Wir bitten den Kunden, jeden potentiellen Garantiefall vorher mit uns telefonisch zu besprechen und Produkte nicht ohne Voranmeldung an uns zu versenden. Zum Nachweis der Anspruchsberechtigung auf Garantie ist der Kaufbeleg oder jedenfalls eine Kopie hiervon erforderlich.

Sollte sich bei Überprüfung und/oder Durchführung der Reparatur herausstellen, dass der Mangel nicht unter die Garantie fällt, sind wir gehalten und berechtigt, den uns entstandenen Aufwand zu berechnen.

#### **Garantieausschluss:**

Garantieansprüche sind ausgeschlossen, wenn das Produkt durch den Einfluss höherer Gewalt oder durch Umwelteinflüsse wie Wind, Hagel, Schnee, Frost usw. beschädigt wurde, wenn das Produkt unter Bedingungen gelagert oder eingesetzt wurde, die außerhalb der technischen Spezifikation liegen, wenn Schäden durch unsachgemäße Behandlung, insbesondere durch Nichtbeachtung der Betriebsanleitung oder durch Veränderungen aufgetreten sind, sowie bei gebrauchstüblichem Verschleiß, der die Funktion des Produktes nicht beeinträchtigt.

Die vorgenannten Garantiebestimmungen treten neben und zusätzlich zu den gesetzlichen Rechten des Kunden.

# ATTENTION!

**LA MANIPULATION INAPPROPRIÉE DE CE PARASOL PEUT CAUSER DES DOMMAGES AINSI QUE DES BLESSURES GRAVES. POUR CETTE RAISON NOUS VOUS PRIONS IMPÉRATIVEMENT DE BIEN VOULOIR LIRE CES INSTRUCTIONS TRÈS PRÉCISÉMENT ET DE SUIVRE LES AVERTISSEMENTS SUIVANTS:**

- N'utilisez pas le parasol par vent fort!
- N'utilisez pas le parasol lors d'un orage et ne restez surtout pas dessous!
- Ne grimpez pas sur le parasol ou ne vous accrochez pas à celui-ci!
- Ne laissez pas les enfants sans surveillance près du parasol!
- Utilisez le parasol uniquement pour l'utilisation prévue!
- N'utilisez pas le parasol sans pied de parasol adéquat!
- Ne modifiez pas le parasol et sa construction!

**LE FAIT DE NE PAS PRENDRE EN CONSIDÉRATION LES AVERTISSEMENTS ET LE MODE D'EMPLOI PEUT CAUSER DES DOMMAGES OU DES BLESSURES GRAVES. LE FABRICANT DÉCLINE TOUTE RESPONSABILITÉ LORS D'UNE MANUTENTION INCORRECTE DU PRODUIT.**

## INSTRUCTIONS DE SÉCURITÉ

**Pour le raccordement, veuillez considérer les points suivants :**

**Si le câble de raccordement est endommagé, il est impératif qu'il soit remplacé par un nouveau câble CARAVITA ou qu'il soit réparé par une entreprise spécialisée. En cas de dysfonctionnement concernant une pièce électrique, veuillez demander nos pièces originales.**

- N'utilisez pas d'adaptateur ou de connecteur multiple.
- Connectez le parasol uniquement avec le câble de raccordement livré par CARAVITA. En cas de doute, faites faire le branchement par une entreprise spécialisée.
- Veuillez faire exécuter tout changement (modification du parasol, pièces électriques, câbles de raccordement...) par du personnel qualifié.

**Vous risquez votre vie et celles d'autres personnes !**

### Attention au vent!

Le parasol Big Ben est résistant au mauvais temps et peut rester dehors toute l'année. Cependant, il est vivement recommandé de fermer le parasol par vent fort, par temps de neige et également, quand il n'est pas utilisé. Pensez alors à débrancher le Big Ben avec câblage intégré. De façon générale, il est déconseillé de laisser le parasol sans surveillance.

**La responsabilité et la garantie du fabricant ne s'appliquent pas pour les dégâts causés par toute intempérie ou par vandalisme.**

## DÉBALLAGE DU PARASOL

Vérifiez l'état du carton dès la réception. Dans le cas où il serait endommagé (trous, déchirures, empreintes, etc.), veuillez le signaler auprès de votre revendeur, de votre livreur ou auprès de l'entreprise CARAVITA. (+49 8458 603 89 28). Vérifiez également l'intégralité de la livraison.

Coupez les bandes adhésives et les bandes en plastique précautionneusement avec un couteau sans endommager le parasol dans le carton.

**Merci de ne pas couper ou déchirer le carton. Il se plie facilement et peut être aisément stocké dans une cave ou un garage.**

## CONTENU

L'état et l'intégralité de la livraison doivent être contrôlés dès réception.

En plus du parasol, la livraison contient les éléments suivants :

- Mode d'emploi
- Manivelle
- Capuchon et boule d'ornement
- Boîtier pour prise

## GARANTIE

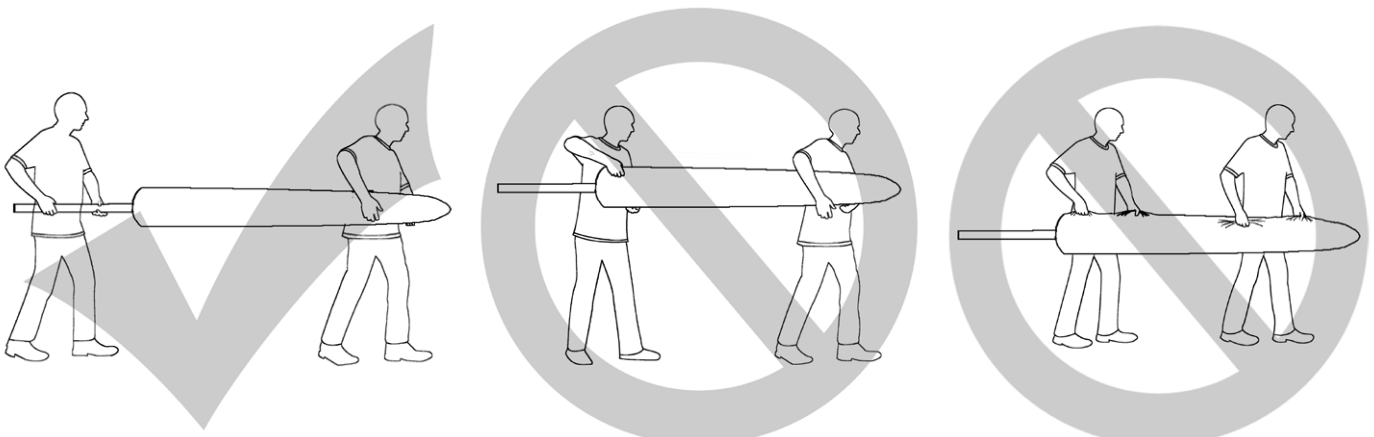
CARAVITA GmbH accorde sur ce produit 5 ans de garantie en tenant compte d'une utilisation conforme aux règles sauf pour les installations électriques, les engrenages et les éclairages qui bénéficient d'une garantie de 2 ans. Toutes les informations complémentaires et détaillées se trouvent sur notre page internet et également dans le catalogue.

## TRANSPORT DU PARASOL

Le plus simple est de transporter le parasol à deux afin que chaque extrémité du parasol soit soulevée à deux mains.

**Surtout ne pas tenir le parasol par sa housse ou par sa toile :** Grand risque de déchirure !

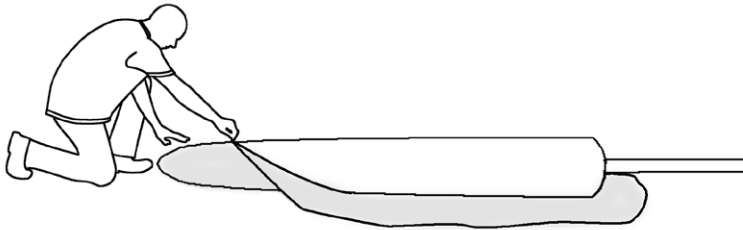
**Ne pas porter le parasol par une baleine :** celle-ci pourrait se tordre.



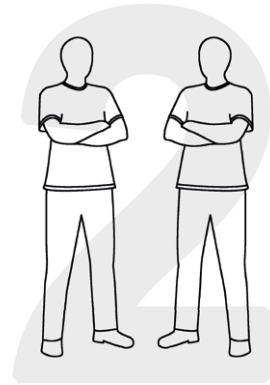
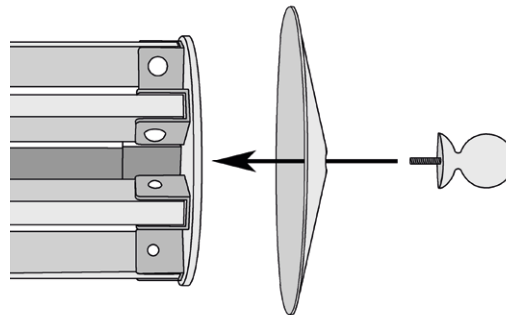
# INSTALLATION DU PARASOL

Veillez svp placer le pied de parasol ou l'ancrage suivant le mode d'emploi. Le pied mobile devra être lesté suffisamment.

Maintenant vous pouvez enlever la housse de protection, si vous n'avez pas commandé de barre d'enlèvement avec le parasol, avec laquelle vous pourriez enlever cette housse lorsque le parasol est debout.



Installez le capuchon livré avec le parasol sur sa pointe.



Pour des raisons de sécurité, 2 personnes sont recommandées pour installer le parasol.

Les très grands parasols peuvent peser jusqu'à 100kg. Faites très attention en les manipulant afin d'éviter tout danger.

**Au moins 3 personnes sont nécessaires pour installer les très grands parasols.**

Avant de positionner le parasol verticalement, veuillez bien vérifier qu'aucune personne et aucun objet ne se trouve près du parasol.

Veillez prendre en considération que le parasol est très long et qu'il est difficile de le tenir en équilibre une fois debout. De ce fait, soyez prudent afin que personne ne soit blessé au cas où le parasol vous échapperait.



**1)** Vissez une des 5 vis (M10x25) dans le trou au milieu de manière à ce qu'elle dépasse de 10mm. L'indication de 10 mm doit être absolument respectée!

**2)** Posez le parasol avec la partie inférieure du mât en direction de la plaque en acier inox.

**3)** Soulevez le parasol et glissez l'aide d'installation qui se trouve à l'intérieur du mât dans la vis au centre. Ensuite poussez le parasol vers le haut jusqu'à ce qu'il se trouve à la verticale.

**ATTENTION ! – Ne lâchez pas le parasol!  
Il peut encore tomber.**

**4)** Faites-vous aider par une seconde personne afin de fixer les 4 autres vis M10x35 et les rondelles dans les perforations prévues. Ne serrez pas encore complètement les vis.

**5)** Positionnez le parasol et serrez ensuite les vis complètement.

Quand le parasol n'est pas installé, veuillez protéger les filetages de l'ancrage contre les salissures avec les vis M10x25.

Les filets de protection en plastique fixés sur les baleines sont utilisés pour le transport. Ils peuvent être enlevés précautionneusement une fois le parasol ouvert, soit avec un couteau ou avec des ciseaux. Veuillez faire attention à ne pas endommager le parasol.



## DESCRIPTION DES ÉCLAIRAGES ET DES PIÈCES ÉLECTRIQUES

Le système d'éclairage ELEGANCE se compose de LED intégrées. Ces dernières sont équipées de diffuseur. Elles sont placées dans un boîtier en aluminium et fixées aux contre-baleines. Les fils électriques sont intégrés dans le mât. La densité est de 120 LEDS par mètre (RVB: 60 LED p.m.) .

Le boîtier du distributeur d'électricité est étanche et se trouve en-dessous de la couronne. La ligne électrique venant du sol est conduite à l'intérieur des baleines vers les éclairages. L'interrupteur se trouve en dessous du boîtier.

Le BIG BEN avec éclairage intégré est connecté à un fusible d'alimentation : 230V/50Hz - 16A.

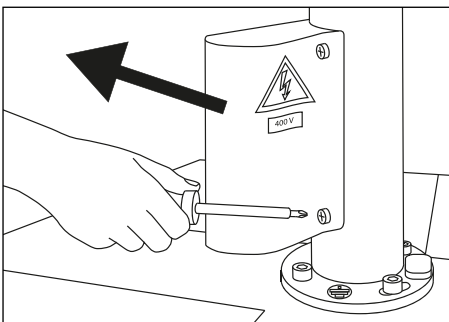
Le BIG BEN avec éclairage et câbles intégrés est connecté à un fusible d'alimentation : 400V/50Hz - 16A.

### IMPORTANT:

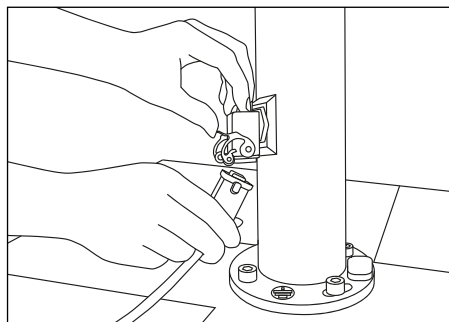
**L'utilisateur du parasol doit s'assurer que le raccordement électrique soit protégé contre tout dégât éventuel.**

## INSTALLATION ÉLECTRIQUE:

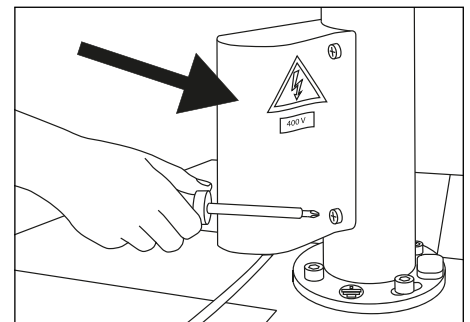
**Veillez relier le parasol uniquement avec le câble de connexion fourni. Sinon, veuillez-vous mettre en relation avec une entreprise qualifiée ou un distributeur spécialisé afin de trouver une solution pour connecter votre parasol de façon individuelle.**



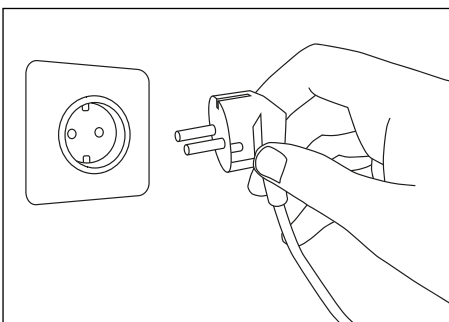
Dévissez les vis et retirez le couvercle de protection. La prise se trouve en dessous.



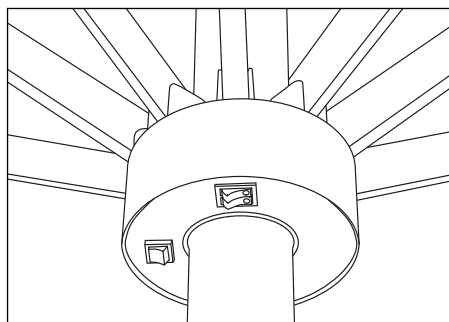
Mettez la fiche du câble dans la prise et fixez-la avec le clapet métallique.



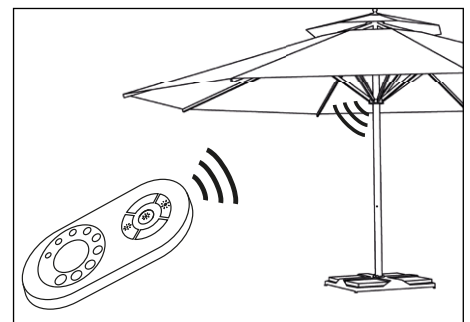
Fixez le couvercle de protection avec les vis.



Placez l'autre extrémité du câble dans la prise Schuko. Faites attention à votre propre système de raccordement : 230V ou 400V.



Les lumières s'allument et s'éteignent grâce à l'interrupteur se trouvant sous la couronne.

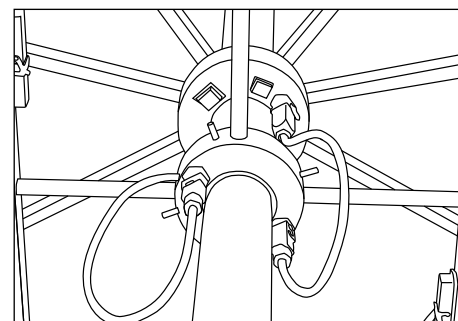
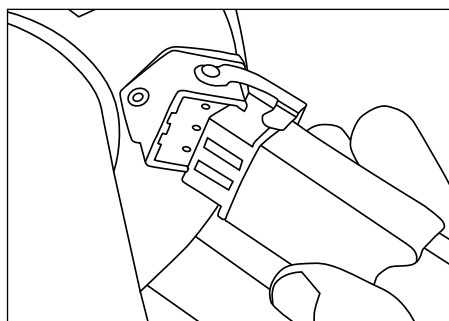
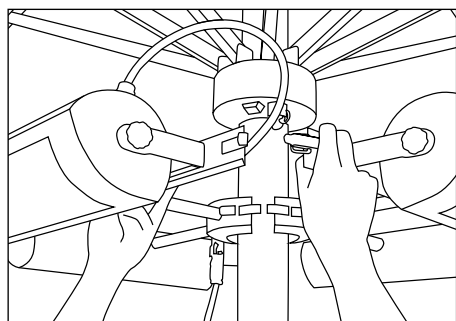
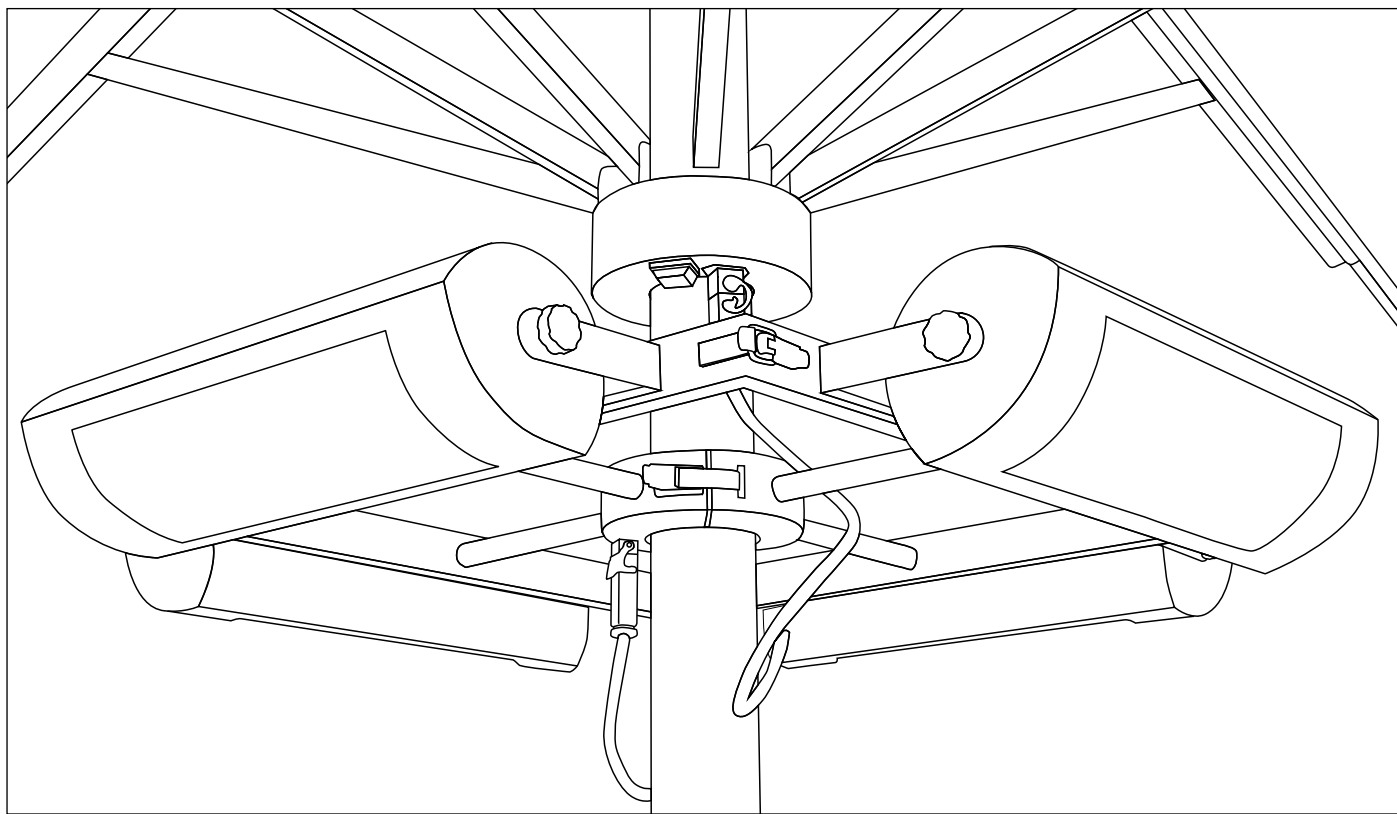


Il est également possible d'utiliser la télécommande afin d'allumer ou d'éteindre les lumières.

### ATTENTION:

**Le câble de raccordement doit être posé de façon qu'il ne puisse pas être endommagé et que personne ne se blesse.**

# INSTALLATION DES CHAUFFAGES SUR LE MÂT



Mettez le support autour du mât.

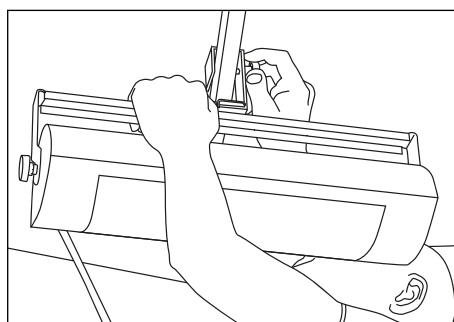
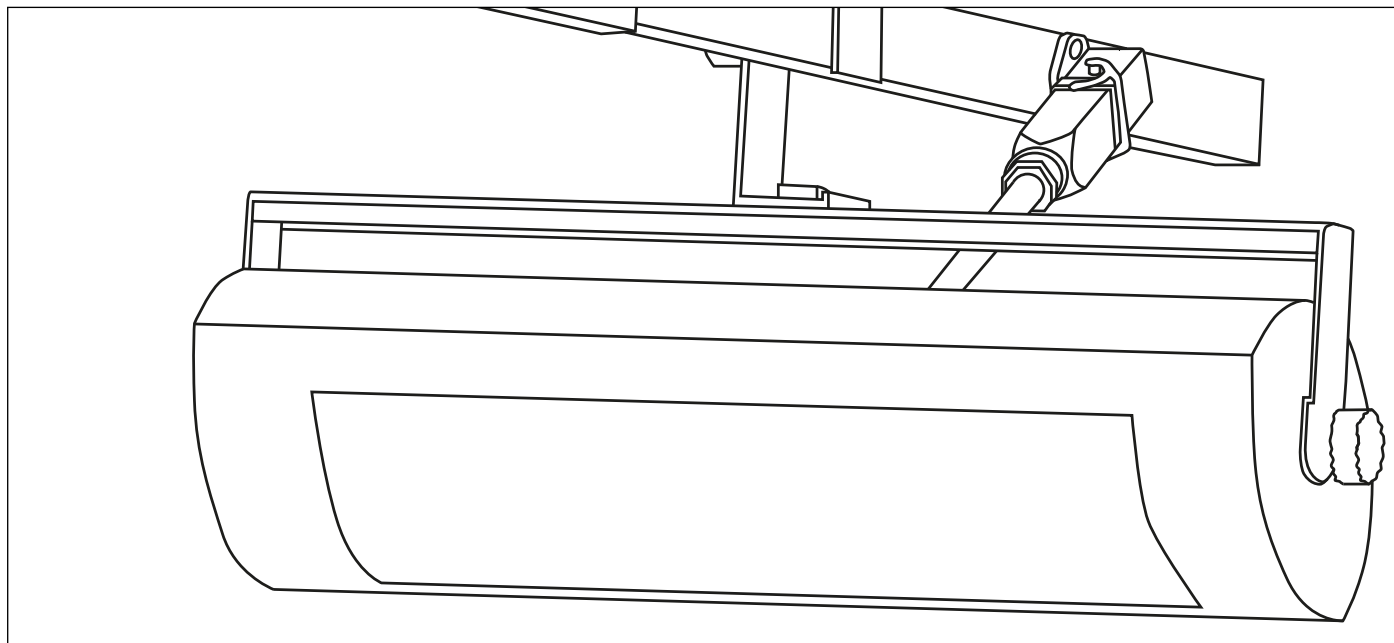
Connectez le moyeu du parasol et les chauffages Solamagic à l'aide des câbles fournis.

Les appareils de chauffage sont maintenant prêts à être utilisés. Utilisez le bouton central pour les allumer et les éteindre.

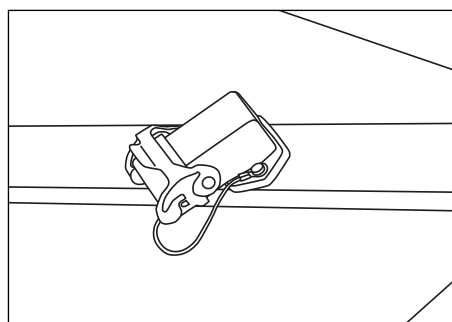
### ATTENTION:

**Le câble de raccordement doit être posé de manière à ce qu'il ne soit pas abîmé et également de façon à ce que personne ne se prenne les pieds dedans.**

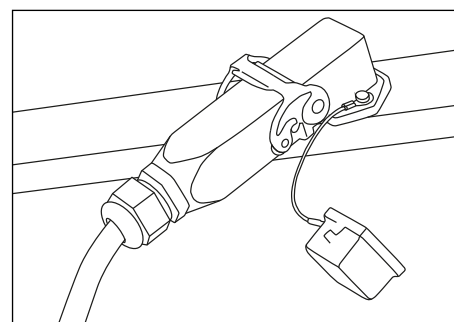
# INSTALLATION DES CHAUFFAGES EN BOUT DE BALEINES



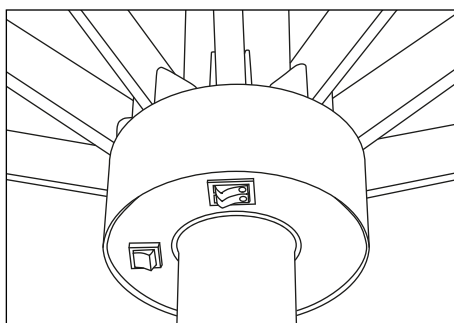
Montez l'appareil de chauffage sur la baleine et le fixer avec la vis fournie.



Enlevez le capuchon de protection de l'alimentation se trouvant à la fin des baleines.



Connectez la prise sur la douille et fixez le tout avec une pince.



L'appareil de chauffage est maintenant prêt à être utilisé. Selon le modèle, il est possible d'activer et de désactiver tous les dispositifs de chauffage, soit à partir du mât, soit à partir des chauffages.

### ATTENTION:

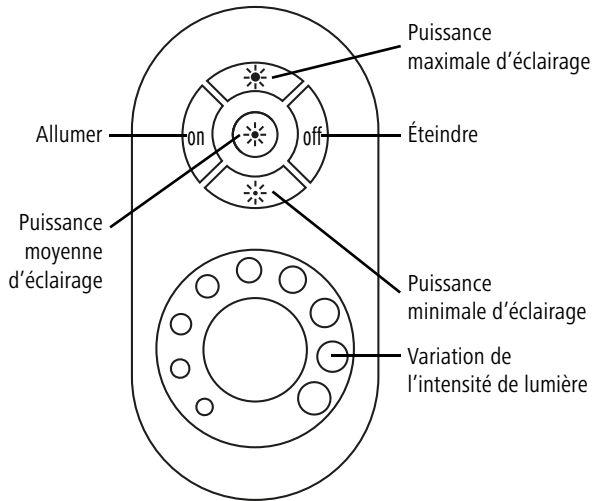
**Les chauffages doivent impérativement être froids avant la fermeture du parasol. Des chauffages encore chaud peuvent créer des dommages au contact de la toile!**

**Veillez également regarder le manuel Solamagic !**

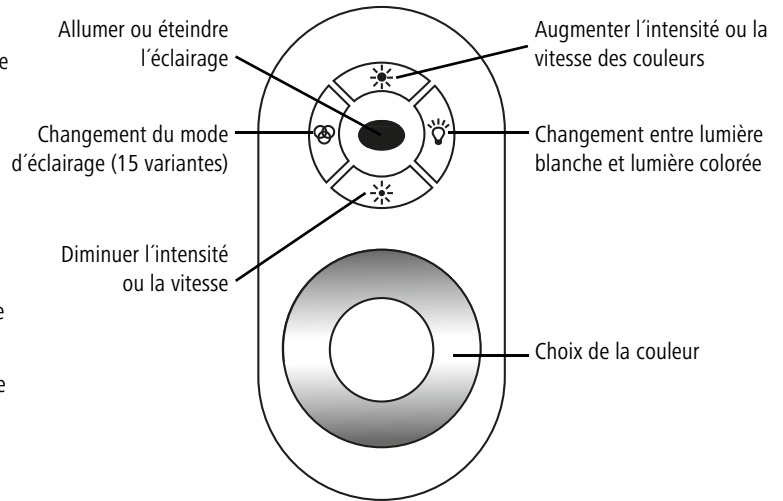
# ELEGANCE - TÉLÉCOMMANDE POUR UN PARASOL

Veillez raccorder les lumières sur le mât avant d'utiliser la télécommande. Il n'est pas possible d'utiliser la télécommande avant que la lumière soit mise en marche manuellement. Grâce à cette télécommande, il est possible d'éteindre, d'allumer les lumières et de faire varier leur intensité. 3 piles AAA sont nécessaires à son fonctionnement. La portée de son signal est d'environ 20 m.

**Télécommande éclairage LED blanc**

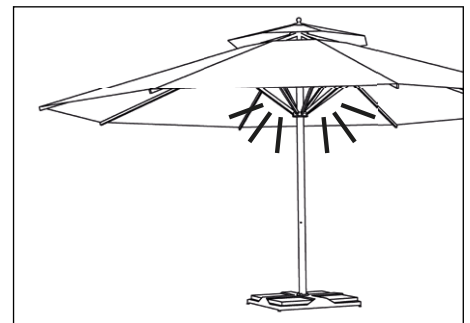
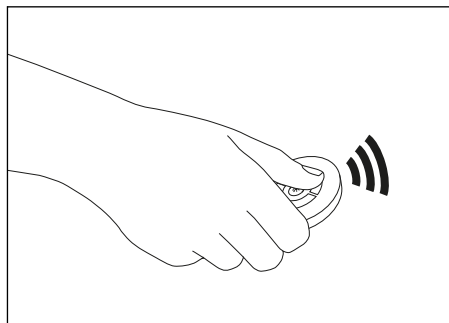
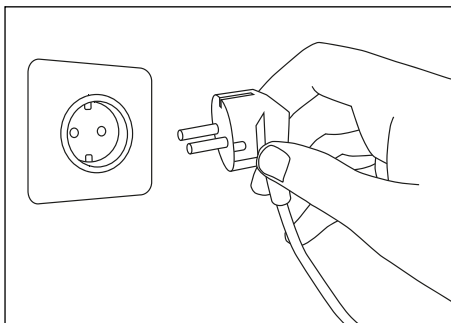


**Télécommande éclairage LED blanc et multicolore**



## Programmation de la commande à distance:

Pour regrouper plusieurs parasols ou calibrer une télécommande de remplacement, procédez comme suit:



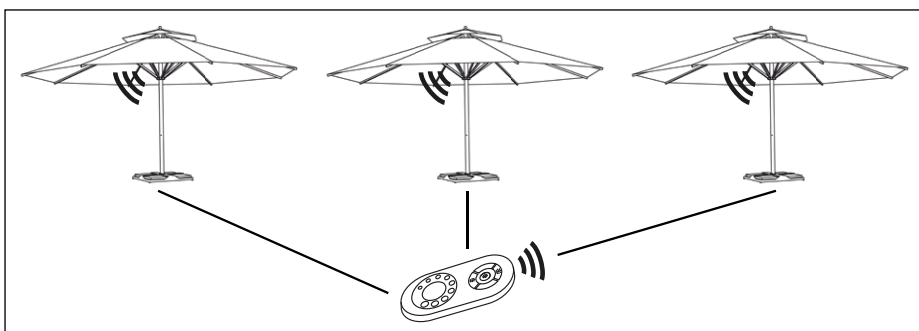
Branchez le câble sur la prise de courant adaptée, 230V ou 400V. Éteignez la lumière au bouton principal situé sur la couronne.

**Télécommande éclairage LED blanc:**  
Appuyez tout de suite 3 secondes sur „puissance maximale d'éclairage”

**Télécommande éclairage LED multicolore:**  
Appuyer sur „augmenter l'intensité ou la vitesse des couleurs”

Si la manipulation a été correcte, les LED clignotent trois fois.

## Regroupement de plusieurs parasols:

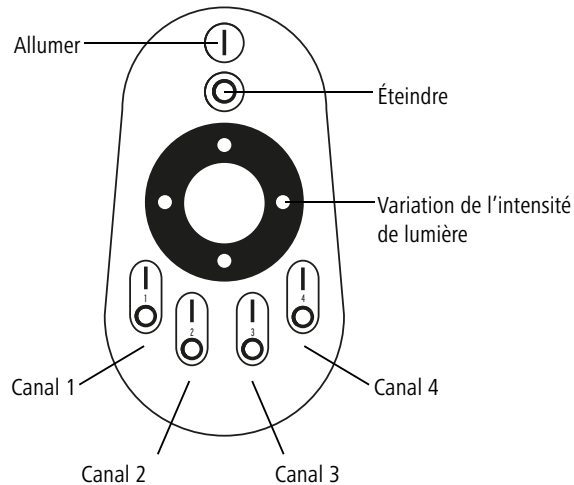


Avec une seule télécommande vous pouvez utiliser simultanément plusieurs parasols. Pour cela tous les parasols doivent être programmés avec la même télécommande.

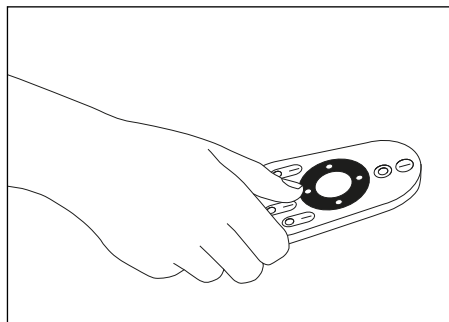
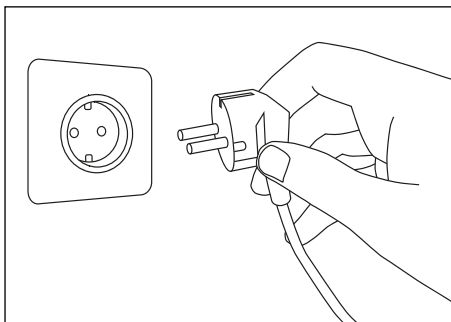
# ELEGANCE - TÉLÉCOMMANDE POUR PLUSIEURS PARASOLS

(OPTIONNEL)

Il est possible de faire varier l'intensité de la lumière, d'éteindre et d'allumer plusieurs parasols à la fois avec une seule télécommande. Ceci est optionnel. Cette fonction multiple doit être installée au moment de la production. Il est impossible de la mettre en place par la suite. 3 piles AAA sont nécessaires pour faire fonctionner la télécommande. Cette dernière permet de gérer l'utilisation des lumières pour un ou plusieurs parasols. La portée de son signal est d'environ 20m.



## Voici comment utiliser les LED et la télécommande:

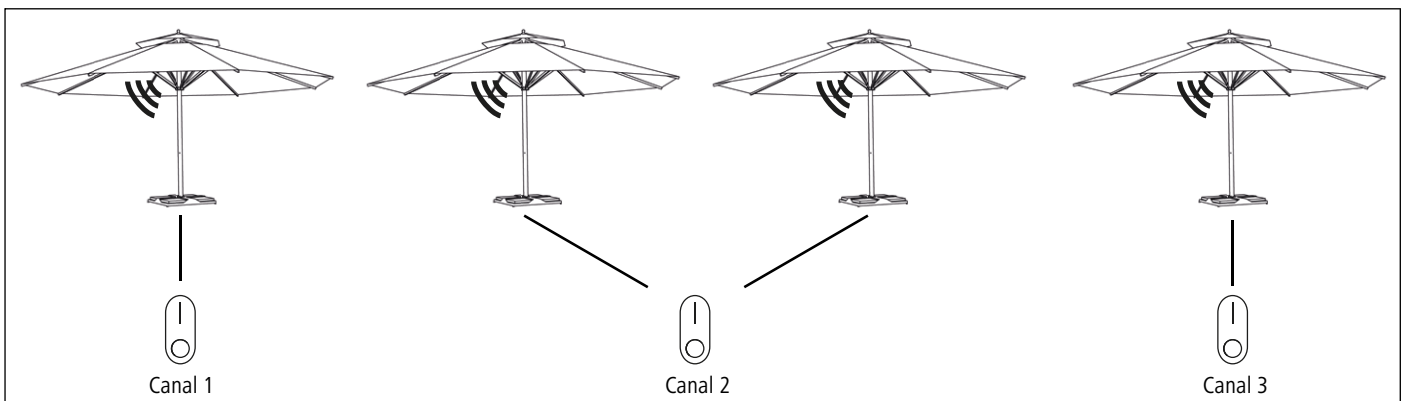


Branchez le câble sur la prise de courant adaptée, 230V ou 400V. Éteignez la lumière au bouton principal situé sur la couronne.

Appuyez immédiatement sur „Allumer“ et „canal 1“ de votre choix en même temps pendant 3 secondes

Suite à cela, les LED clignoteront trois fois. Elles seront alors prêtes à être utilisées sur le canal choisi.

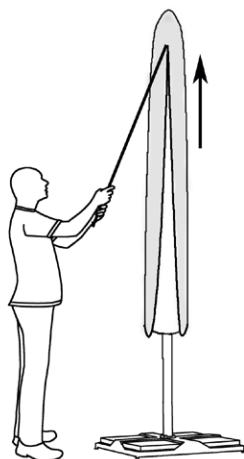
## Voici comment paramétrer les parasols sur les différents canaux avec la télécommande :



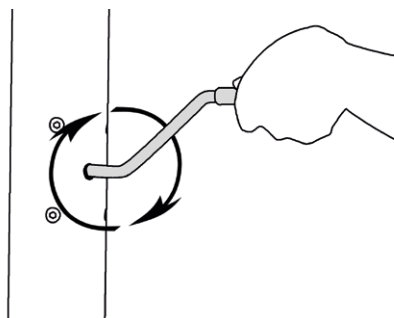
Vous pouvez utiliser plusieurs parasols simultanément avec la même télécommande.

Vous pouvez paramétrer les parasols sur des canaux différents (1- 4) pour les contrôler séparément.

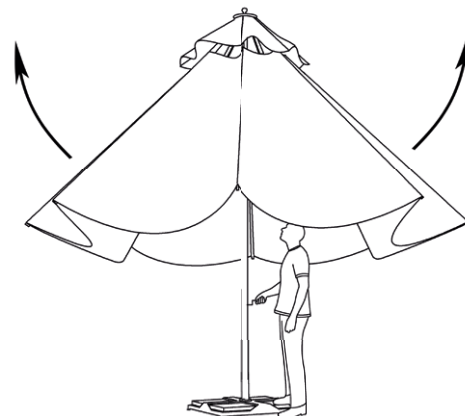
## OUVERTURE DU PARASOL



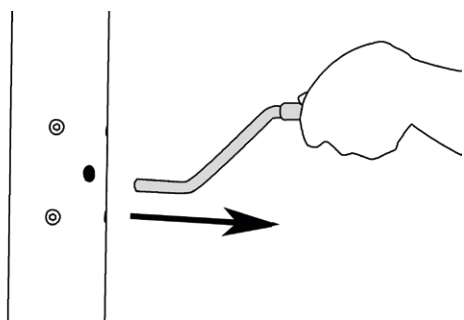
Enlevez la housse de protection, si vous ne l'avez pas encore fait et desserrez la bande élastique.



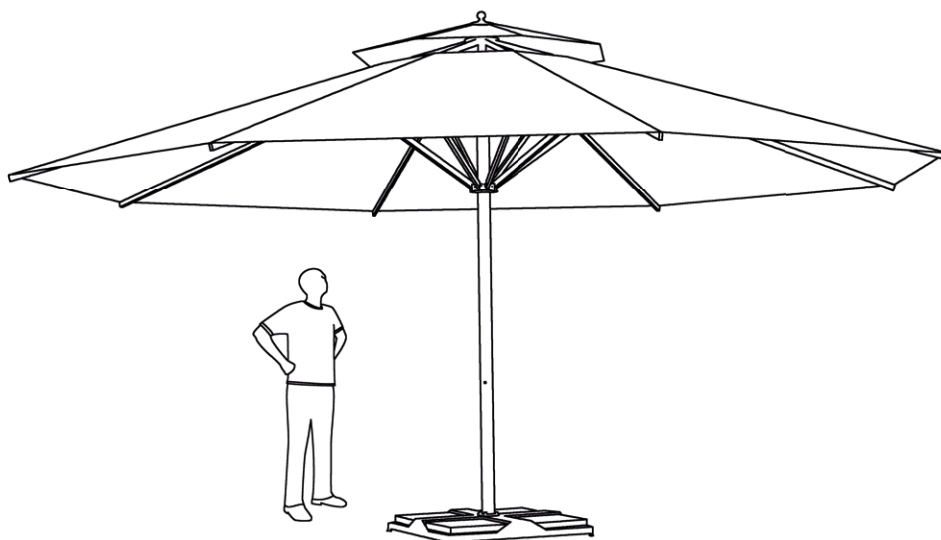
Enfilez la manivelle dans l'ouverture prévue dans le mât. Tournez celle-ci dans le sens des aiguilles d'une montre.



Le parasol s'ouvre lentement.



Pour des raisons de sécurité, enlevez la manivelle. (Ex : si des enfants jouent à proximité; afin d'éviter des vols)

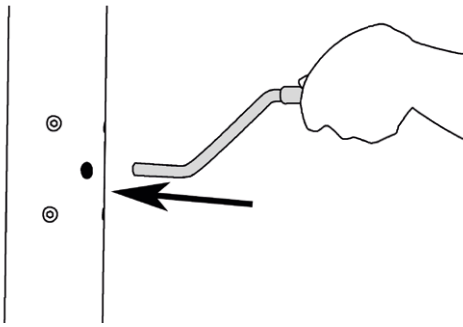


**ATTENTION:  
NE PAS FORCER SI LE PARASOL NE S'OUVRE PAS!**

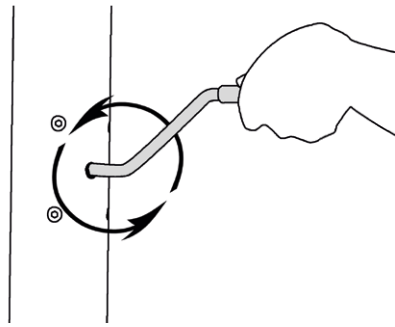
Refermez le parasol. Vérifiez que les baleines soient toutes débloquées. Assurez-vous qu'aucune baleine ne soit vers l'intérieur. Essayez d'ouvrir le parasol à nouveau. Si vous ne trouvez pas l'erreur, contactez votre revendeur ou appelez la hotline de CARAVITA.

**SURTOUT NE PAS FORCER !**

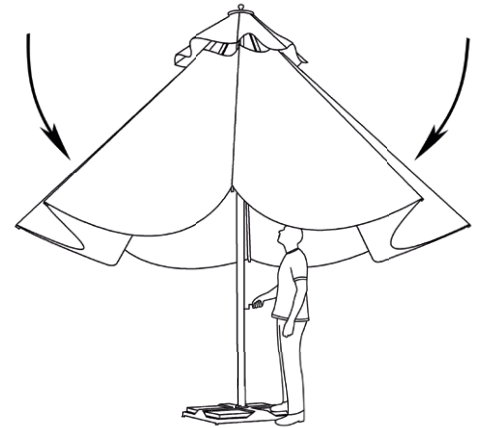
## FERMETURE DU PARASOL



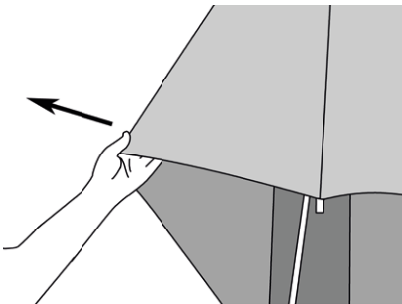
Enfilez la manivelle dans l'ouverture prévue dans le mât.



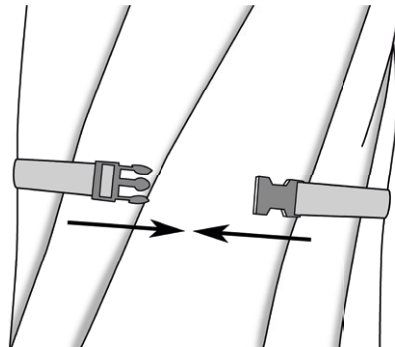
Tournez la manivelle dans le sens contraire des aiguilles d'une montre.



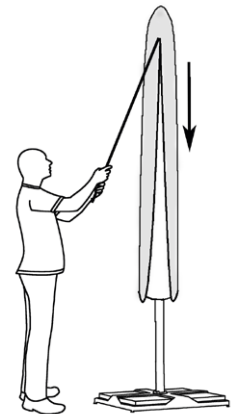
Le parasol se ferme lentement.



Avant de fermer le parasol complètement, tirez la toile qui se trouve entre les baleines comme pour un parapluie, pour que la toile ne se coince pas entre les baleines et soit endommagée.



Fixez la toile avec la ceinture élastique pour éviter que le parasol flotte au vent. Dans le cas contraire, celle-ci peut frotter contre les baleines et s'abîmer.



Tirez la housse de protection sur le parasol. Une barre d'enlèvement livrée en option peut vous aider.

## STOCKAGE DU PARASOL

### 1. Debout à l'extérieur

Il est conseillé de toujours fixer la toile avec la ceinture élastique pour éviter qu'elle flotte au vent. Il est également vivement recommandé de protéger votre parasol en mettant la housse de protection. Une toile flottant au vent peut s'abîmer en frottant contre l'armature. Cela ne constituera pas un cas de garantie. Avant de mettre la housse de protection, veuillez bien vérifier que le parasol soit sec afin d'éviter toutes taches de moisissure.

Si vous n'avez pas de fixation permanente au sol, veuillez noter qu'un parasol fermé peut tomber en cas de vent fort. Prenez des pieds de parasols assez lourds ou stockez le parasol horizontalement dans une pièce sèche.

### 2. Stockage

Stockez le parasol dans un endroit sec et propre. La toile doit être absolument sèche pour éviter la moisissure.

## ENTRETIEN DE LA TOILE

Il est impératif de ne pas stocker les parasols mouillés ou humides pendant une longue période. Il en est de même concernant leur stockage dans la housse de protection.

Enlevez immédiatement les feuilles tombées (cause initiale de pandémie microbienne).

Les micro-organismes (moisissure, bactéries, algues bleues, algues) se forment tout particulièrement lorsque les 3 facteurs suivants sont réunis pendant une longue période : humidité, salissure, chaleur. Afin de préserver l'environnement, de nombreux produits bactéricides efficaces ont été retirés du marché. Ces produits sont désormais strictement interdits par la plupart des pays de l'Europe de l'Ouest. Cependant, d'autres alternatives ont été mises sur le marché mais leur efficacité est moindre.

Les salissures se retirent avec une brosse à poils tendres lorsque le parasol est sec. Afin de faciliter le nettoyage, l'utilisation d'eau tiède peut être envisagée. Il est possible de laver la toile à la main afin de traiter les taches les plus résistantes. Dans ce cas, il est nécessaire d'utiliser un savon doux. Une fois sèche, traitez la toile avec un imperméabilisant. Plusieurs variantes de ce produit sont disponibles dans les magasins spécialisés. Veuillez bien lire le mode d'emploi.

**LAVÉ UNIQUEMENT À L'EAU FROIDE !**  
**SURTOUT NE JAMAIS LAVÉ À L'EAU CHAUDE !**  
**Les toiles acryliques rétrécissent déjà au lavage à basse température !**

## ENTRETIEN DE L'ARMATURE

Nettoyez l'armature avec un produit de nettoyage doux si nécessaire. Les pièces en acier inox peuvent être rafraîchies avec un produit à polir pour l'acier inox. Si les poulies ou les jointures grincent, vous pouvez utiliser un spray lubrifiant ou un spray de silicone.

Les parasols doivent être nettoyés régulièrement afin d'enlever toutes saletés.

## TRAVAUX DE RÉPARATION ET PIÈCES DE RECHANGE

Le BIG BEN avec câblage intégré est conçu pour être utilisé de nombreuses années à condition qu'il soit manipulé correctement. En cas de dommages provoqués par le vent ou autre, toutes les pièces de rechange sont disponibles.

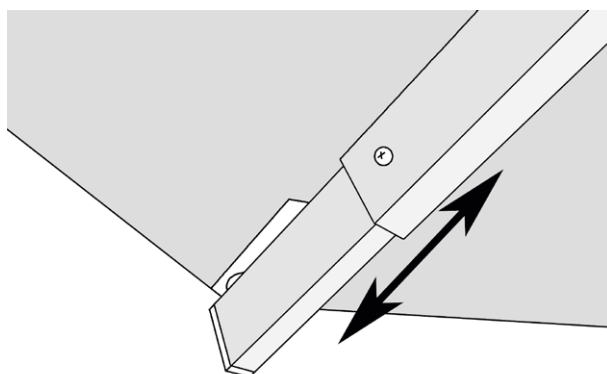
En cas d'autoréparation – spécialement pour l'électricité- veuillez utiliser les pièces originales.



## RETENDRE LA TOILE DU PARASOL

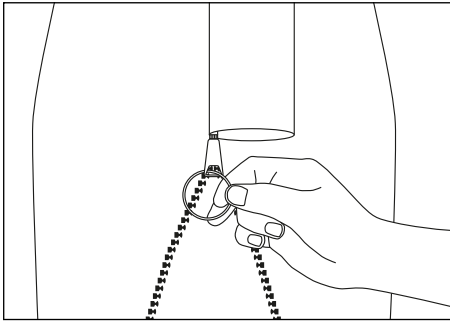
Au bout de quelques temps, la toile acrylique peut se détendre légèrement. Afin de retendre votre toile, il vous suffit de tirer les baleines télescopiques en respectant les conseils suivants :

- ① Veuillez enlever les vis fixées à la fin des baleines télescopiques.
- ② Tirez les baleines télescopiques au maximum de leur possibilité.
- ③ Faites un nouveau trou de 3,5mm de diamètre dans le tube télescopique à l'endroit exact où la vis de fixation devra être placée.
- ④ Vissez la vis dans le nouveau trou.

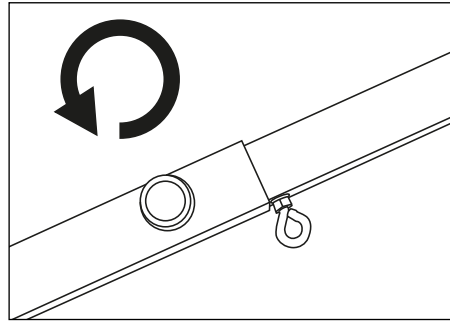


# UTILISATION DE LA BARRE TÉLESCOPIQUE D'ENLÈVEMENT

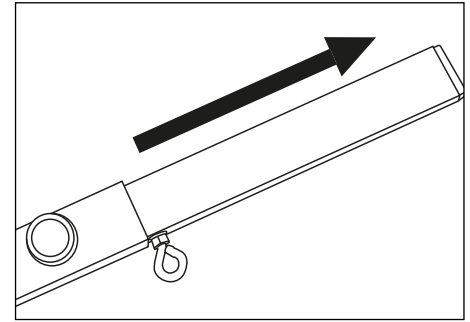
(Optionnel)



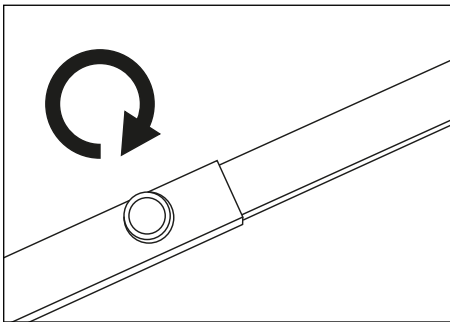
Fixer le porte-clés à la fermeture éclair de la housse de protection.



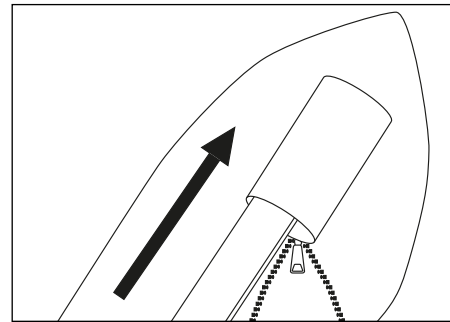
Ouvrir la vis moletée sur la barre d'enlèvement télescopique.



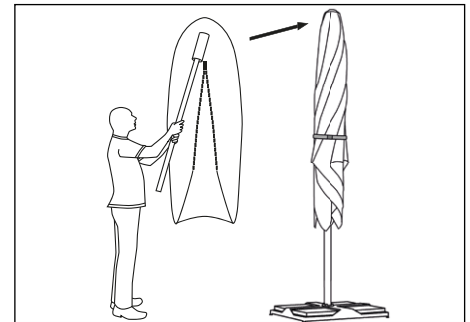
Extraire la longueur nécessaire de la barre télescopique.



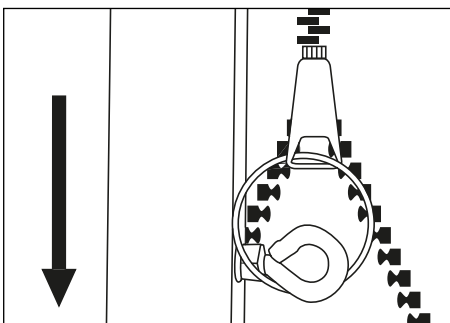
Serrer la vis moletée.



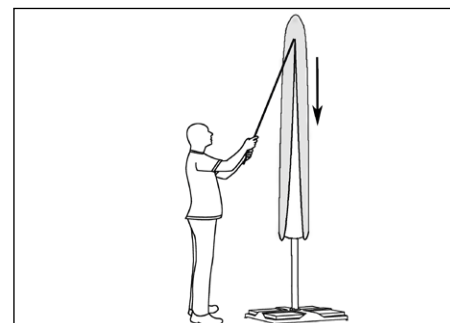
Introduire la barre d'enlèvement télescopique dans la housse de protection.



Mettre la housse de protection sur le parasol à l'aide de la barre d'enlèvement télescopique.



Accrocher le porte-clés de la barre d'enlèvement télescopique à la fermeture éclair de la housse de protection.



Tirer jusqu'en bas pour fermer la housse de protection.

## ATTENTION

### Ne pas forcer pour fermer la housse.

Si la fermeture éclair se bloque, essayer de la débloquer en faisant de léger mouvement en avant et en arrière. Si cela ne fonctionne pas, essayer de la débloquer à la main ou retirer la housse de protection.

# CONDITIONS DE GARANTIE

CARAVITA Europe s.r.o. est fier d'accorder une garantie sur les produits caractérisés. Le droit légal des clients ne se limite pas à la garantie.

**Les conditions de garantie suivantes sont valables:**

## **RÉDACTEUR DE LA GARANTIE :**

CARAVITA Europe s.r.o., Trencianska, 827/81, 01851 Nova Dubnica, Slovaquie;  
Tel.:+49-8458-60389-28. Email: [bienvenue@caravita.eu](mailto:bienvenue@caravita.eu)  
Plus de coordonnées sur notre site : [www.caravita-parasols.com](http://www.caravita-parasols.com)

## **ÉTENDUE DE LA GARANTIE :**

### **Durée :**

5 ans dès réception du produit sauf pour les installations électriques, les engrenages et les éclairages qui bénéficient d'une garantie de 2 ans.

### **Zone d'application :**

Tous les pays membres de l'Union Européenne

### **Objet :**

Un cas de garantie a lieu si un défaut de fonctionnement, de matériel ou de fabrication se présente. Ces défauts ne doivent en aucun cas résulter de dégâts externes tels que le vent, la grêle ou la neige. Il en est de même pour un maniement ou un stockage inapproprié. Le client a la possibilité de recevoir des pièces de rechange afin d'effectuer les réparations. Ce dernier peut également opter pour le renvoi du produit afin qu'il soit réparé dans nos ateliers. La réparation et les pièces de remplacement ne sont pas facturées, cependant, les frais de transport sont toujours à la charge du client.

Dans le cas où des pièces de rechange identiques ne seraient plus disponibles, le client recevra des pièces équivalentes afin d'assurer le bon fonctionnement du produit. Les autres droits, comme celui de résiliation ou de réduction des engagements, ne sont pas pris en compte. La garantie n'accorde aucune indemnisation.

### **Garantie :**

Tout d'abord, il est nécessaire de vérifier s'il s'agit d'un cas de garantie ou non. Dans ce cas, veuillez nous envoyer des photos significatives. Nous prions nos clients de bien vouloir nous contacter par téléphone afin de pouvoir échanger sur le cas éventuel de garantie. Il ne faut en aucun cas nous renvoyer un produit sans nous avoir tenus informés du défaut de fonctionnement. Les droits de garantie ne sont valables qu'à partir du moment où nous recevons une copie de la facture.

Si lors du contrôle et/ou de la réparation, nous nous apercevons qu'il ne s'agit pas d'un cas de garantie, nous nous réservons le droit de facturer au client les frais qui en résultent.

### **Exclusions de garantie :**

Les droits de garantie sont exclus, quand le produit a été abîmé par force majeure ou à cause d'intempéries tel que le vent, la grêle, la neige, le gel etc.; quand le produit a été entreposé et exploité dans des conditions non-conformes aux spécifications techniques; quand les dommages sont causés par une mauvaise manipulation et en particulier par l'inobservation du mode d'emploi. Toute modification du produit ainsi que toute usure normale n'influençant pas son bon fonctionnement ne sont pas couvertes par la garantie.

Les règlements mentionnés ci-dessus rentrent en compte parallèlement et en supplément au droit légal du client.

# ¡PRECAUCIÓN!

**EL USO INADECUADO DE ESTA SOMBRILLA PUEDE CONDUCIR A DAÑOS MATERIALES O LESIONES GRAVES. POR LO TANTO, DEBE LEER Y SEGUIR LAS INSTRUCCIONES DE MONTAJE E INSTALACIÓN Y TOMAR EN CUENTA LAS SIGUIENTES ADVERTENCIAS:**

- ¡NO utilice la sombrilla en caso de viento fuerte!
- ¡NO utilice o se refugie bajo la sombrilla durante las tormentas eléctricas!
- ¡NO sentarse o subirse en la sombrilla!
- ¡NO deje a los niños sin supervisión en proximidad de la sombrilla!
- ¡NO utilice esta sombrilla fuera de su propósito intencionado!
- ¡NO utilice la sombrilla sin su base!
- ¡NO modifique esta sombrilla de ninguna forma!

**¡EL MAL USO DE LA SOMBRILLA O EL NO SEGUIR ESTAS INSTRUCCIONES Y ADVERTENCIAS PUEDE DAR RESULTADO A LESIONES O DAÑOS A LA PROPIEDAD Y PUEDE ANULAR LA GARANTÍA!**

## INDICACIONES DE SEGURIDAD

### **A tener en cuenta a la hora de conectar:**

**Si el cable de conexión está dañado, debe ser reemplazado por cable de repuesto original CARAVITA o reparado por un especialista. En caso de un mal funcionamiento de los componentes eléctricos, pregunte por nuestras piezas disponibles de repuestos originales.**

- No utilice adaptadores o enchufes múltiples.
- Conecte el parasol únicamente con el cable de conexión original, suministrado por CARAVITA o deje que la instalación la realice un profesional especializado.
- Deje que los cambios, modificaciones en el parasol, en los componentes eléctricos o en los cables de conexión, sean realizados por personal cualificado.

**¡Se pone en peligro a usted mismo y a los demás!**

### **¡Cuidado con el viento!**

El parasol gigante Big Ben es resistente a la interperies y puede dejarse instalado fuera durante todo el año. Sólo en caso de nieve o vientos muy fuertes, se debe de cerrar el parasol. No deje el parasol abierto durante muchos días sin vigilancia. Cierre el parasol en caso de fuertes vientos y desconéctelo de la corriente eléctrica.

**El fabricante no acepta ninguna responsabilidad en caso de daños causados por viento, nieve o vandalismo.**

## DESEMBALAR LA SOMBRILLA

Inspeccione todas las cajas recibidas para daños (extremos abiertos, rayones, roturas o cualquier agujero). Si hay alguna señal de daños por favor póngase en contacto con su distribuidor o servicio al cliente de CARAVITA (+49 (0)8458 603 89 18) inmediatamente y haga anotaciones en la Orden de Reparto.

Utilizando unas tijeras o un cortador de caja, corta la cinta adhesiva y las cintas de plástico. Tenga cuidado de no dañar la sombrilla dentro de la caja.

**NO SE DESHAGA DE LOS MATERIALES DE EMBALAJE HASTA QUE TODAS LAS PIEZAS HAYAN SIDO INSPECCIONADAS. EL CARTÓN SE PUEDE ALMACENAR DOBLÁNDOLO HASTA QUE TODOS LOS ELEMENTOS HAYAN SIDO EXAMINADOS Y SEA CONSIDERADO QUE SE ENCUENTRAN EN PERFECTAS CONDICIONES.**

## CONTENIDO

Por favor, compruebe al recibir el producto, que todas las piezas están incluidas y que el producto no está dañado. Junto con el parasol, se deben encontrar los siguientes elementos:

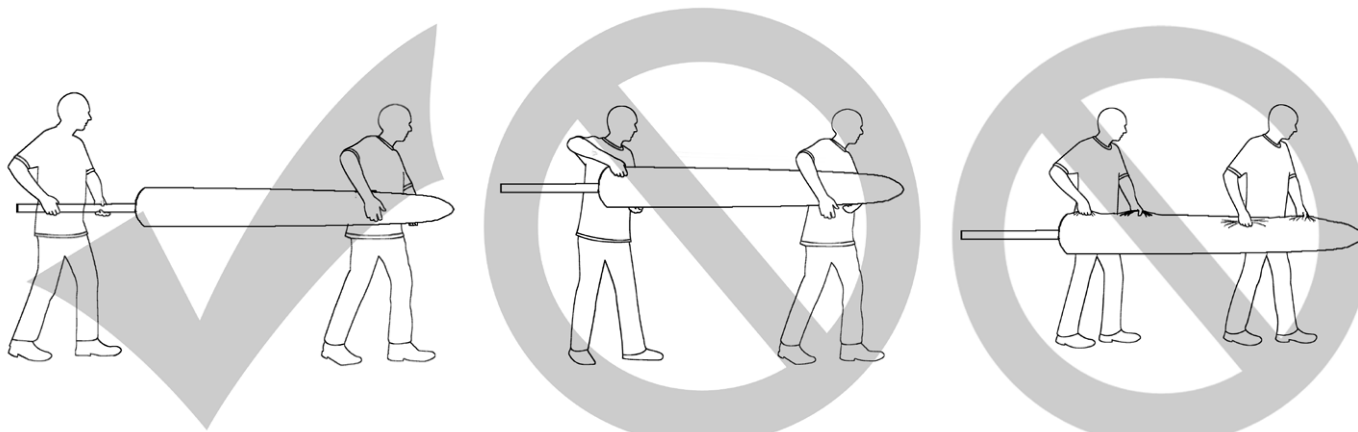
- Instrucciones de montaje
- Manivela
- Tapa de bola
- Caja para los enchufes

## GARANTÍA

La compañía CARAVITA GmbH concede a este producto una garantía de 5 años, en condiciones de un uso adecuado. Quedan excluidos de este plazo de garantía, las instalaciones eléctricas y los mecanismos, los cuales cuentan con una garantía de 2 años. Para más información, consulte las condiciones detalladas de garantía en el apéndice.

## MOVIENDO LA SOMBRILLA

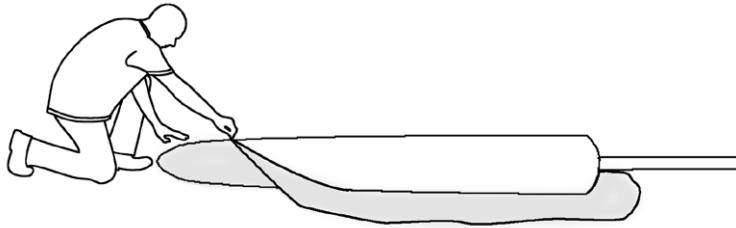
La sombrilla debe ser llevada por dos personas. Uno en cada extremo de la sombrilla. Por favor sostenga la sombrilla con ambas manos. **¡NO ARRASTRE SOMBRILLA TIRANDO DE LA BOLSA DE PROTECCIÓN O LA TELA!** Esto puede provocar roturas. **No sujete las varillas cuando lleve la sombrilla.** Pueden doblarse.



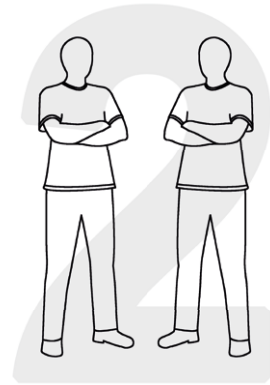
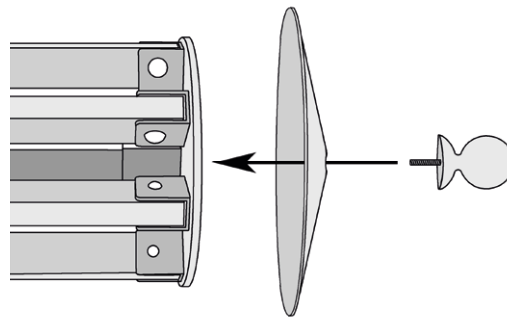
## INSTALANDO LA SOMBRILLA

Prepare su base móvil o anclaje para el suelo como se indica en su manual correspondiente y tenga los accesorios necesarios listos para instalar. Todas las bases que utilizan bloques de hormigón para instalación deben tener los bloques apropiados y bases rellenables deben estar llenas del material apropiado.

Retire la bolsa de protección antes de instalar si no tiene una barra de empuje que permite quitar la bolsa de protección de una sombrilla para su instalación.



Instale la tapa y pomo suministrado en la parte superior de la sombrilla.



Por razones de seguridad, dos personas deben de realizar la instalación de la sombrilla.

Los parasoles con tamaño muy grande pueden pesar hasta 100 kg. Manipularlos de forma cuidadosa para evitar accidentes.

**Los parasoles de gran tamaño deben de ser manipulados por 3 personas.**

Antes de instalar la sombrilla, asegúrese de que el área esté libre de personas y objetos por debajo que podrían ser perjudicados o dañados o podría dañar la sombrilla.

Por favor tenga en cuenta que la sombrilla es muy alta y por lo tanto difícil de equilibrar en posición vertical. Por esta razón sostenga firmemente la sombrilla al instalar para reducir el riesgo de lesiones.



**1)** Insertar uno de los tornillos de brida (M10x25) en el hoyo del medio. Dejar el tornillo sobresalir de unos 10 mm.

**2)** Con mucho cuidado colocar la sombrilla en el suelo con la punta inferior orientada a la placa de acero inoxidable.

**3)** Levantar la sombrilla y deslizar en el tornillo del medio el guía de alineación que está al dentro del mástil, posicionarlo en el atornillo central y poner de pie la sombrilla con las 2 manos.

**¡CUIDADO!**

**NO SUELTE LA SOMBRILLA! AÚN PUEDE CAERSE!**

**4)** Mantener la sombrilla recta mientras que una segunda persona atornilla la sombrilla a la base con los 4 tornillos (M10x35) y las arandelas proveídos. Aún no apretar totalmente los tornillos.

**5)** Ajustar la orientación de la sombrilla. Luego, apretar los tornillos.

Para proteger del polvo los hoyos del tubo de anclaje, cerrarlos con los tornillos de brida (M10x25), cuando la sombrilla no está aún colocada en la base.

# DESCRIPCIÓN DE LAS LÁMPARAS Y COMPONENTES ELÉCTRICOS:

La iluminación Elegance va instalada en las varillas del parasol con líneas de iluminación LED instaladas dentro de una cubierta protectora de aluminio con difusor LED. El cableado está integrado en el mástil. La intensidad de LED es de 120 por metro (RGB: 60 LED p. m.).

La caja de distribución se encuentra debajo del centro de varillas. La electricidad con toma desde el suelo se conecta en este punto con la iluminación de las varillas. La caja eléctrica está perfectamente sellada. El interruptor para la iluminación y/o calefacción se encuentra en la parte inferior de la caja.

¡Para Big Ben con iluminación integrada la conexión de alimentación es de 230V/50Hz y seguridad 16A!

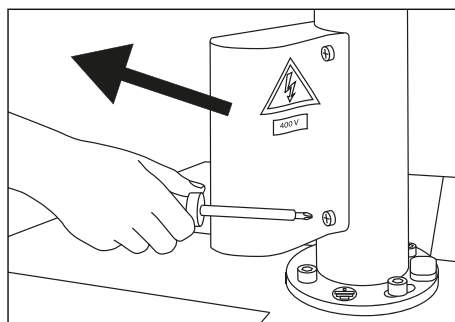
Para Big Ben con la iluminación y cableado integrado para calefactores Solamagic la conexión de alimentación se hace a través de 400V/50Hz y seguridad 16A!

## IMPORTANTE:

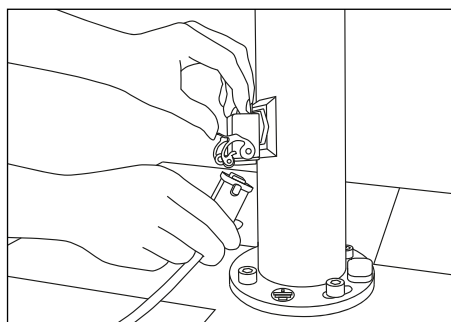
**El propietario del parasol tiene que asegurarse de que el tubo de alimentación eléctrica está protegido contra daños.**

## INSTALACIÓN ELÉCTRICA

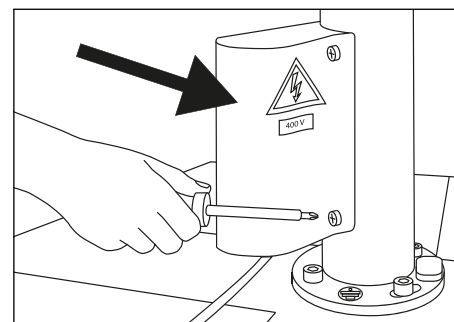
**Por favor, conecte el parasol a la toma de corriente sólo con el cable de conexión suministrado o contacte con un profesional para otro tipo de conexión.**



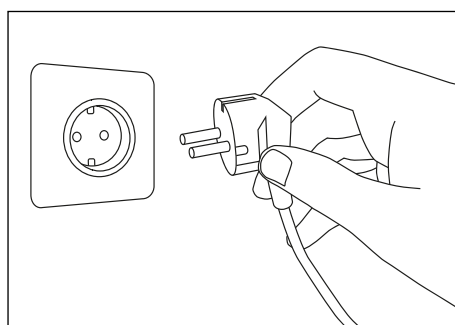
Desatornille la cubierta, bajo la toma de corriente desde el enchufe.



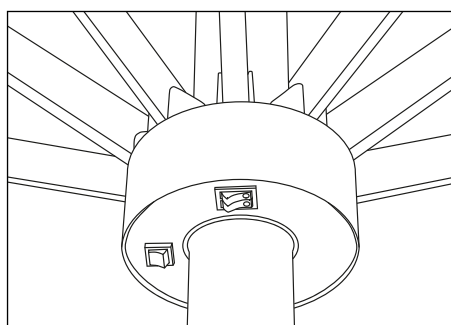
Inserte el enchufe en la toma y fíjelo con una abrazadera.



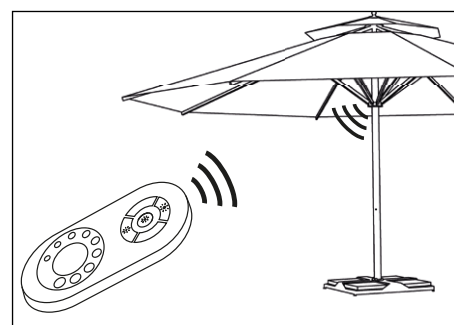
Atornille de nuevo el tornillo de la tapa posterior.



Enchufe el otro extremo del cable con el tapón de seguridad en un enchufe ya existente, con las características de corriente necesarias, 230V o 400V.



Apague la iluminación cambiando simplemente la posición del interruptor a apagado.

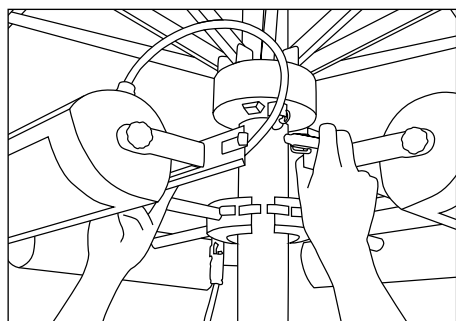
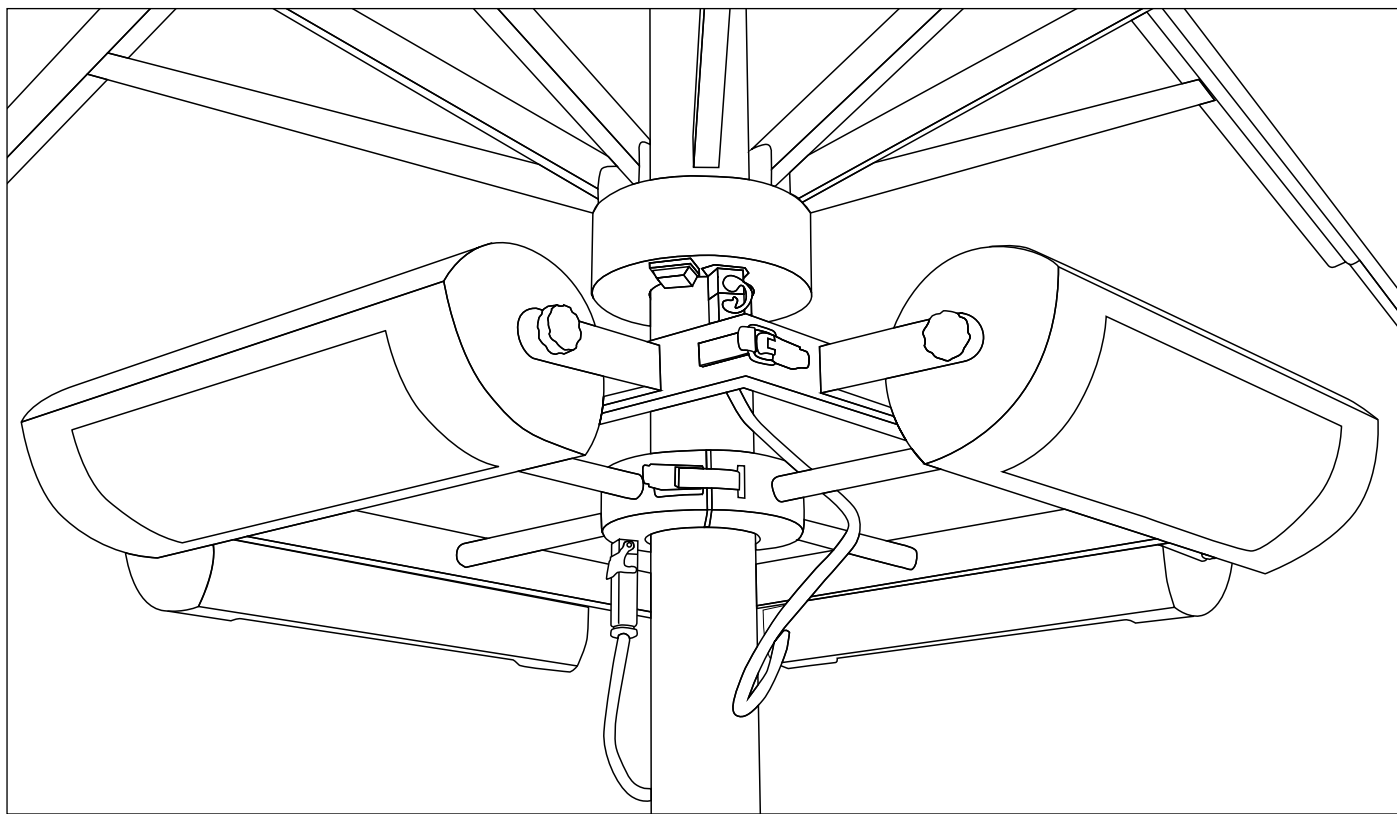


Si lo prefiere, puede también hacerlo mediante un mando a distancia.

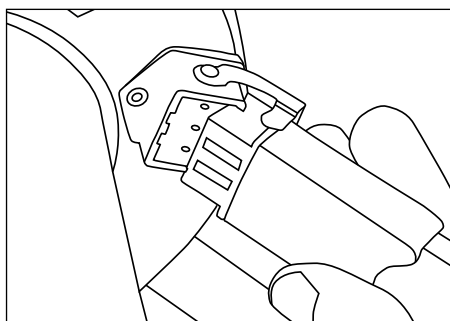
## CUIDADO:

**El cable de conexión se debe instalar de forma que no pueda ser dañado.**

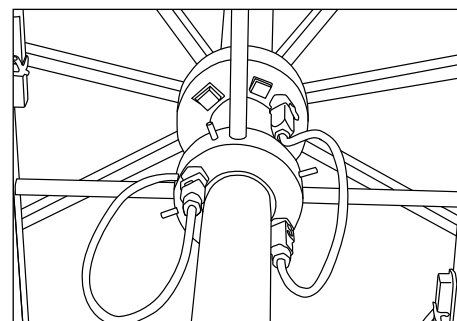
# CONEXIÓN DE LOS CALEFACTORES AL MÁSTIL



Ponga el soporte en el mástil.



Conecte el enchufe del parásol y el calefactor Solamagic con los cables suministrados.



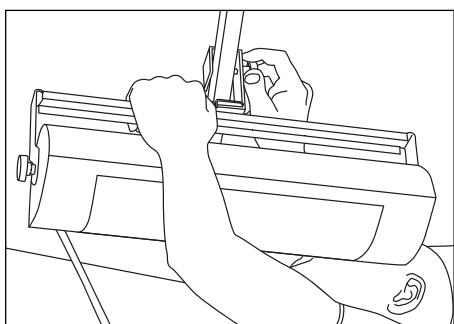
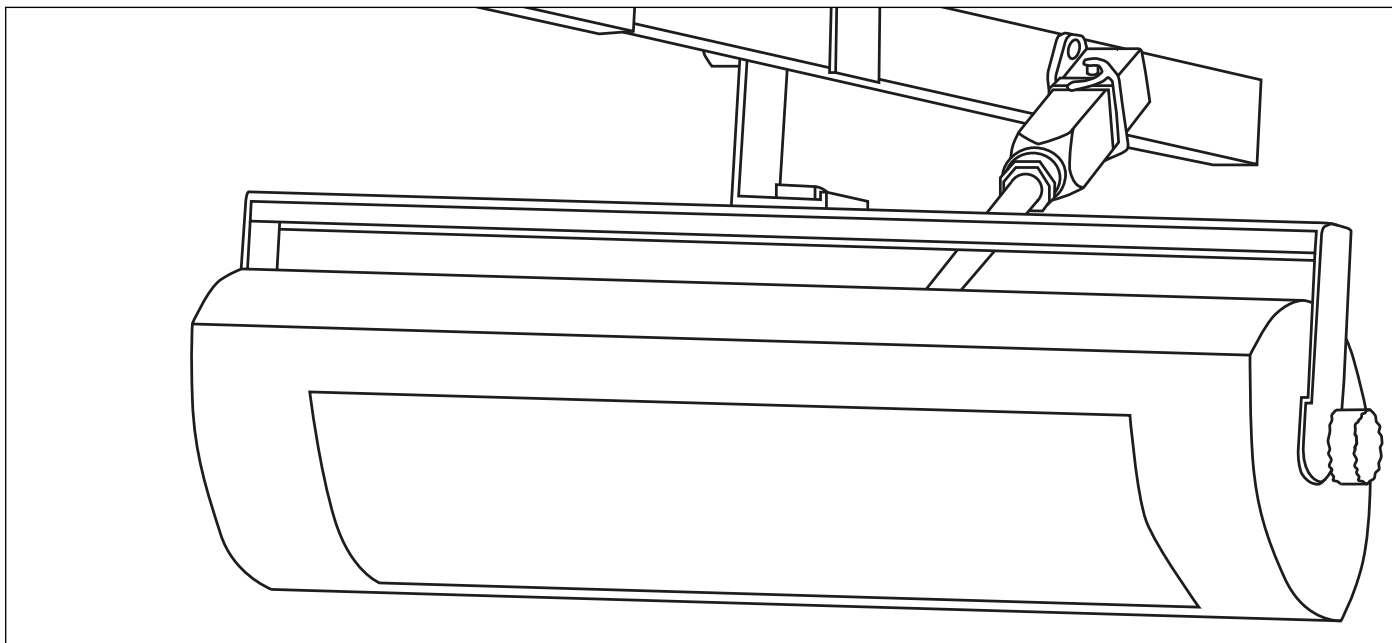
La estufa está ahora lista para su uso. Puede apagar y encender cómodamente los calefactores mediante el interruptor en el mástil.

## **CUIDADO:**

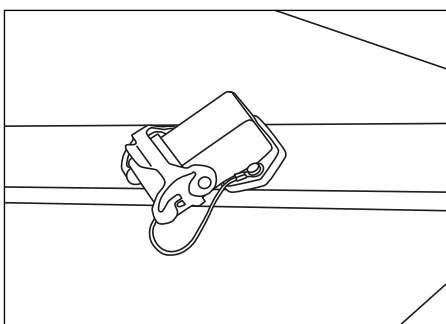
**El cable de conexión se debe instalar de forma que no pueda ser dañado.**



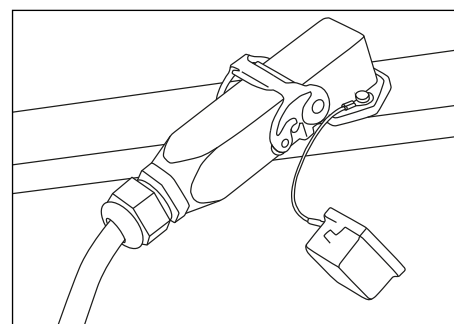
## CONEXIÓN DE LOS CALEFACTORES AL FINAL DE LAS VARILLAS



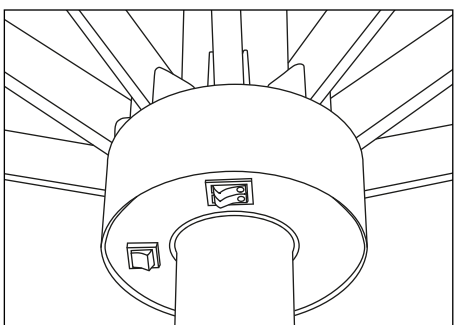
Coloque los calefactores en las varillas y fíjelos con los tornillos.



Retire la capa protectora de la toma eléctrica en el extremo de la varilla.



Conecte el conector y fíjelo con la varilla.



Los calefactores están ahora listos para su uso. Dependiendo del modelo, los calefactores pueden encenderse y apagarse mediante un interruptor central o cada uno de forma individual.

### **CUIDADO:**

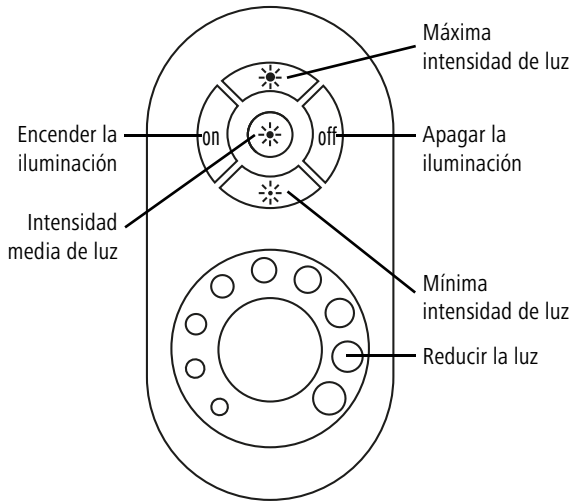
**Lo calefactores deben de haberse enfriado antes de cerrar el parasol. Si lo cierra con los calefactores aún calientes, se puede dañar la tela del parasol.**

**¡Tenga en cuenta las instrucciones de uso de Solamagic!**

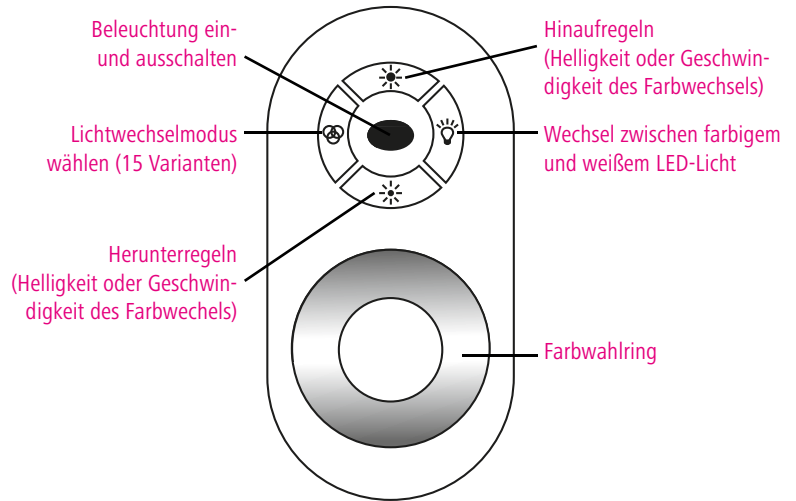
# ELEGANCE - DISPOSITIVO DE MANDO PARA UN PARASOL

Antes de usar el mando a distancia encienda la electricidad en el mástil central. Sólo después de esta acción será posible regular la iluminación mediante el mando. La iluminación se puede encender y apagar mediante el mando. Para el uso del mando, son necesarias 3 pilas AAA. La distancia máxima es de 20 m.

## Fernbedienung weiße LED Beleuchtung

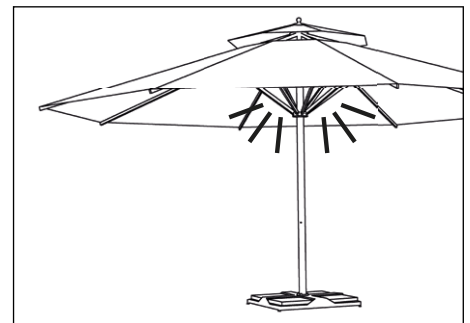
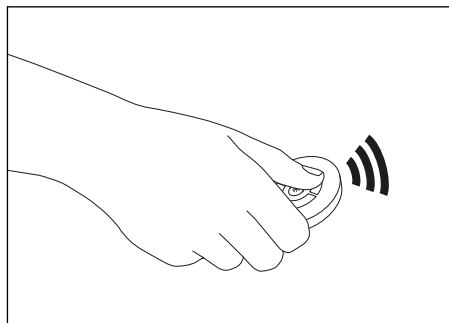
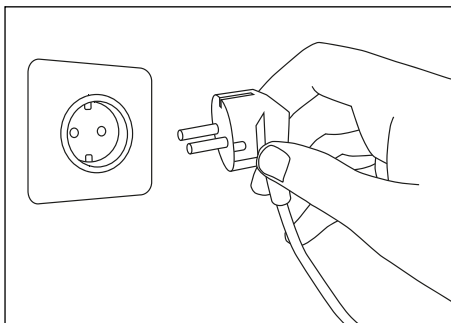


## Fernbedienung farbige und weiße LED Beleuchtung



## Nueva programación del mando a distancia:

Para poder agrupar más de un parasol o calibrar un nuevo mando a distancia, siga los siguientes pasos:



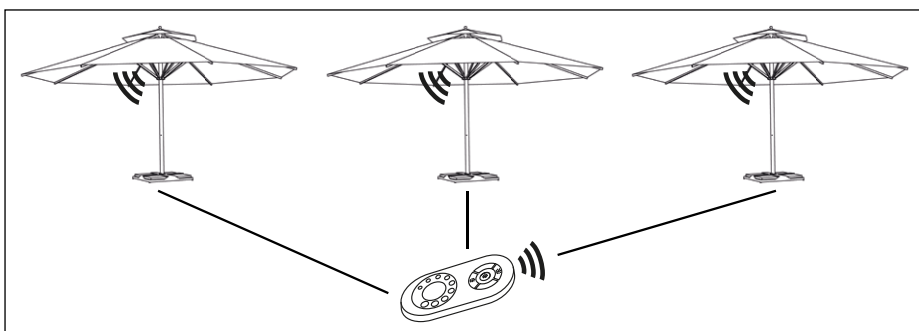
Enchufe el cable a una toma con la corriente necesaria de 230V o 400V según la potencia que se requiera. Encienda la luz en el interruptor principal del centro de varillas.

**Fernbedienung weiße LED Beleuchtung:** Presione seguidamente durante 3 segundos sobre el botón de máxima iluminación.

**Fernbedienung farbige LED Beleuchtung:** Hinaufregeln (Helligkeit oder Geschwindigkeit des Farbwechsels)

Si la programación ha funcionado, la LEDs parpadearán tres veces.

## Agrupar más de un parasol:

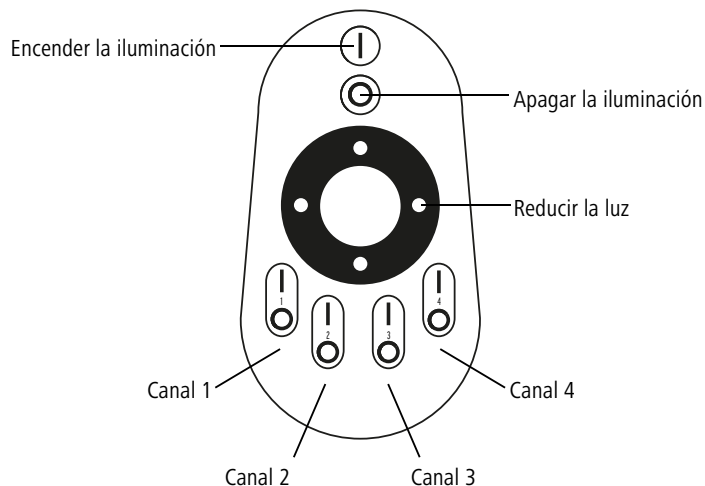


Es posible agrupar el manejo de varios parasoles a la vez en un mismo mando. Para ello hay que programar todos los parasoles en un sólo mando.

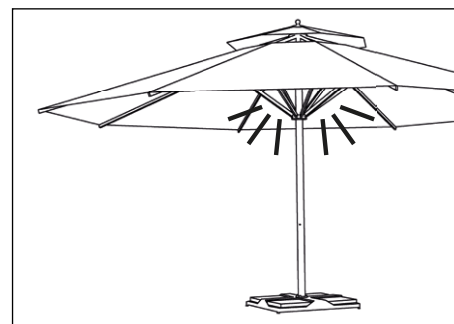
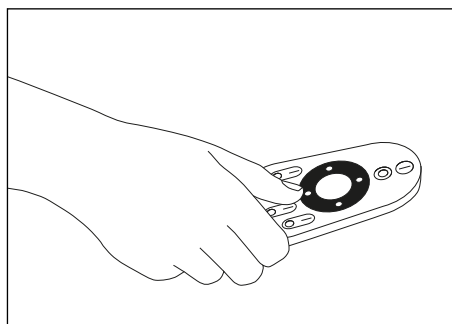
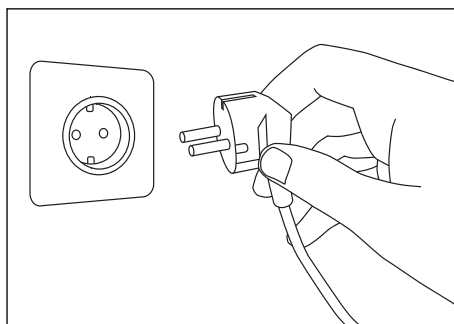
# ELEGANCE - DISPOSITIVO DE MANDO PARA VARIOS PARASOLES

(OPCIONAL)

Se puede elegir como opción, el tener la posibilidad de dar más o menos intensidad de luz, o encender y apagar varios parasoles, con un sólo mando. Para esta opción, el parasol debe de ser fabricado con anterioridad con los ajustes necesarios. No es posible instalar esta opción, en un parasol ya fabricado. Para el uso del mando, son necesarias 3 pilas AAA. Con este sistema, se puede encender o apagar la iluminación de los parasol tanto de forma individual como conjunta. La distancia máxima es de 20 m.



## Así puede hacer funcionar la iluminación de las varillas y el mando a distancia:

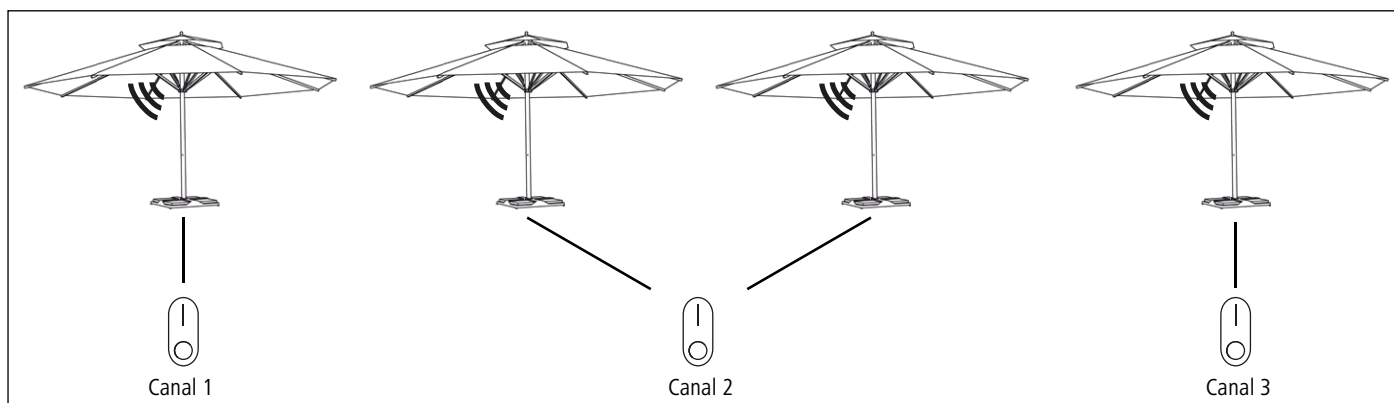


Enchufe el cable a una toma con la corriente necesaria de 230V o 400V según la potencia que se requiera. Encienda la luz en el interruptor principal del centro de varillas.

Pulse a la vez durante 3 segundos los botones „Encender la iluminación” y „encender canal” deseado.

A continuación la iluminación del parasol parpadeará tres veces. Ahora puede controlarla mediante los distintos canales.

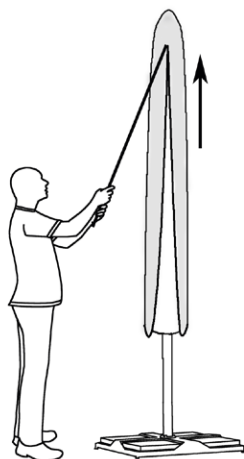
## Parasoles individuales pueden ser controlados mediante los canales con un mismo mando:



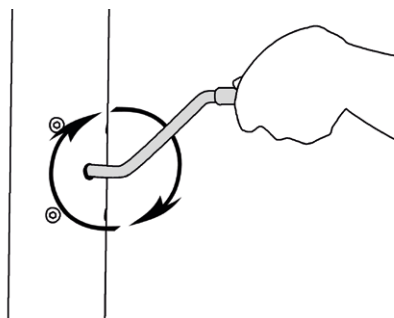
Con el mismo mando es posible controlar varios parasoles a la vez.

Para controlar dos parasoles a la vez, estos deben estar conectados al mismo canal.

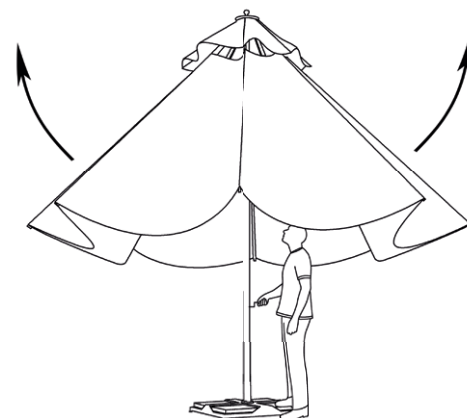
## ABRIENDO LA SOMBRILLA



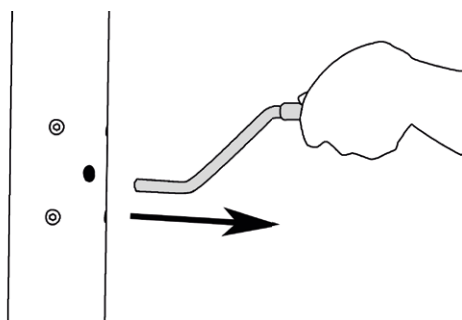
Retire la funda protectora, si no se ha hecho ya y el cinturón.



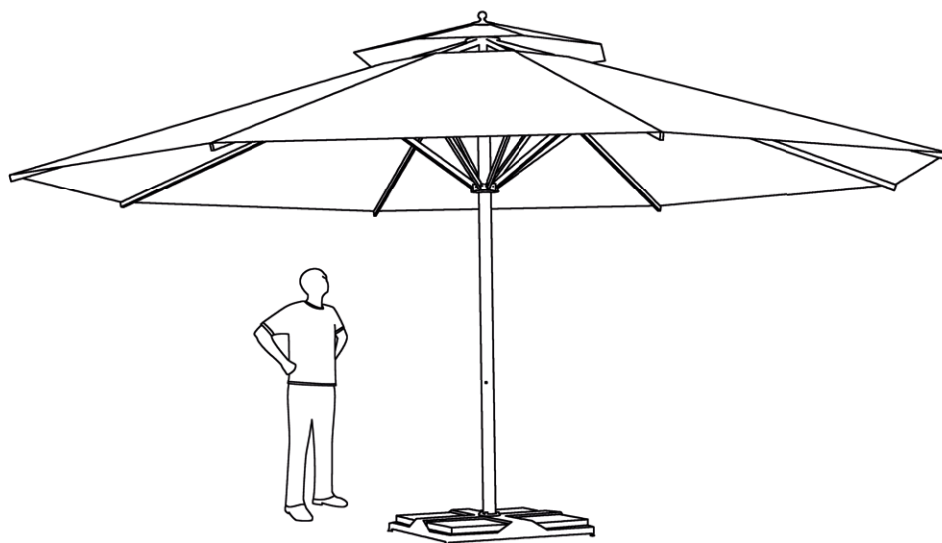
Para abrir la sombrilla, inserte la manivela en el agujero de la sombrilla. Gire a la derecha.



La sombrilla se abre lentamente.



Retire la manivela por motivos de seguridad (por ejemplo, los niños están alrededor o para evitar robos en lugares públicos).

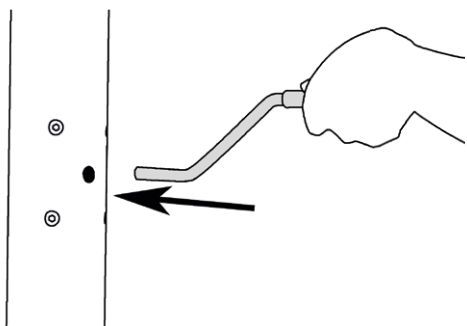


**PRECAUCIÓN:**  
**¡SI LA SOMBRILLA NO SE ABRE FÁCILMENTE,**  
**NO APLIQUE LA FUERZA!**

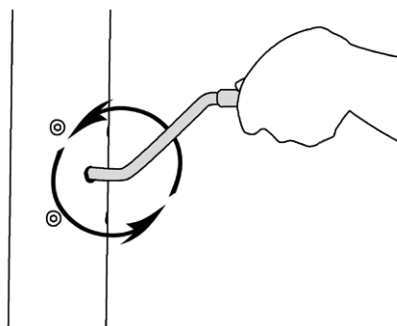
Si la sombrilla no se abre, inmediatamente cierre la sombrilla. Suelte las varillas una vez más, asegúrese que ninguna de ellas se ha doblado hacia dentro. Trate de abrir la sombrilla otra vez. Si el error no puede ser detectado, por favor póngase en contacto con su distribuidor o el servicio de atención al cliente de CARAVITA.

**¡NO APLIQUE FUERZA!**

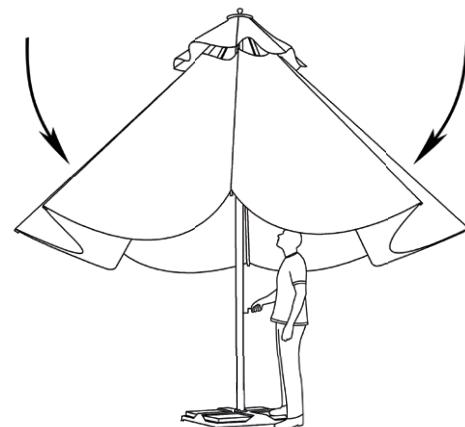
## CERRANDO LA SOMBRILLA



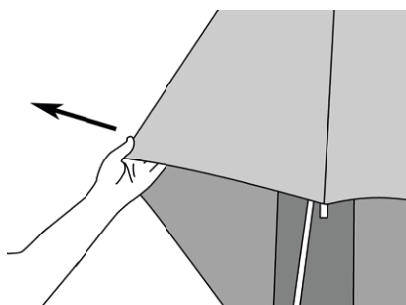
Inserte la manivela en el agujero del mástil de la sombrilla. Gire la manivela a la derecha.



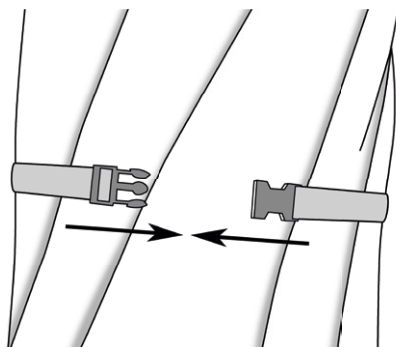
Para cerrar, gire la manivela en sentido contrario a las agujas del reloj.



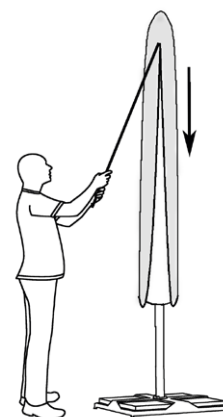
La sombrilla cerrará lentamente.



Antes de cerrar la sombrilla completamente, saque la tela que está entre las varillas y dóblela alrededor de la sombrilla para que no pueda ser dañada al quedar metida atrapada entre las varillas.



Asegure el toldo con el cinturón para impedir movimiento con el viento. Movimiento en el toldo puede rozar y desgastar el toldo a través del varillaje.



Coloque la funda protectora sobre la sombrilla. La barra de empuje opcional puede utilizarse para ayudar en la instalación.

## ALMACENAR LA SOMBRILLA

### 1. Sombrilla sin sujeción de apoyo

Se recomienda asegurar la sombrilla con el cinturón para evitar que se mueva en caso de viento, así como la colocación de la funda protectora. El movimiento de la tela entre las varillas, puede provocar desgaste y quedaría fuera de la garantía. Si se utiliza la funda protectora, la sombrilla debe estar completamente seca. Si el toldo está mojado, puede formarse moho.

Si no tiene un tubo de anclaje o soporte permanente, tenga en cuenta que incluso estando cerrada, la sombrilla puede caerse en caso de vientos muy fuertes.

### 2. Almacenaje

Guarde la sombrilla en un lugar limpio y seco. La tela debe estar completamente seca para impedir la formación de moho.

## MANTENIMIENTO DEL TOLDO

Sombrillas mojadas nunca deben almacenarse o meterse dentro de la funda durante un largo periodo de tiempo.

Hojas caídas y otro follaje deben retirarse inmediatamente para evitar manchas o el crecimiento de hongos en la tela.

Pueden formarse microorganismos (hongos, bacterias, algas verde azules) si se ha tenido la sombrilla durante mucho tiempo en un lugar húmedo, sucio y cálido. En los últimos años muchos insecticidas muy efectivos, han sido prohibidos en la mayoría de países europeos debido a su toxicidad, siendo sustituidos por otros que aunque son menos contaminantes, son también generalmente menos eficaces.

La suciedad puede retirarse mejor con seco con un cepillo de manera regular. Las manchas pueden tratarse con agua tibia y un cepillo suave. Trate las manchas difíciles por lavado a mano con un poco de detergente comercial delicado, enjuague bien con agua limpia, deje que se seque y trate con repelente de agua si es necesario después. Distribuidores especializados pueden ofrecer detergentes líquidos especiales. Siga las instrucciones cuidadosamente.

**¡LAVE CON AGUA FRIA SOLAMENTE!**

**¡NO LAVE EN AGUA CALIENTE!**

**¡La telas acrílicas pueden encoger incluso a temperaturas bajas!**

## MANTENIMIENTO DEL VARILLAJE

Lave las superficies con agua y detergente suave si es necesario. Piezas de acero inoxidable pueden hacerse más brillantes con un producto para pulir acero inoxidable. Lubrique todas las juntas y rodillos con aceite o aerosol de silicona.

## REPARACIONES Y PIEZAS DE REPUESTO

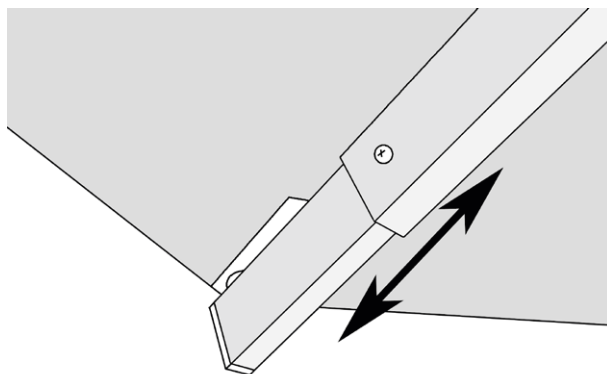
Su Big Ben le servirá durante muchos años. Para casos en los que el viento u otros factores dañen el parasol, están disponibles todas las piezas de repuesto.

Para la sustitución de las piezas, en especial las eléctricas, use sólo piezas originales.

## AJUSTE DE TENSION DE TOLDO

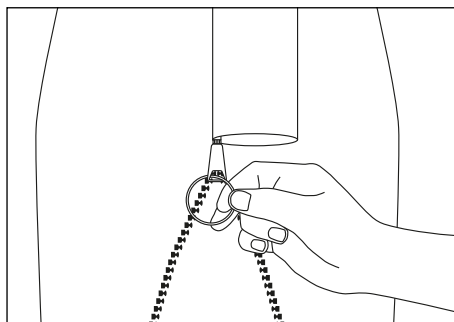
La tela de toldo acrílico se estirará un poco con el tiempo. Si el toldo se estira, usted puede reajustar la tensión sacando los extremos telescópicos de las varillas. Consulte lo siguiente:

- 1 Retire los tornillos al extremo de la varilla telescópica.
- 2 Saque los extremos telescópicos lo máximo posible.
- 3 Perfore un nuevo agujero con una broca de 3,5 mm en el punto el tubo telescópico donde ahora se colocará el tornillo de fijación.
- 4 Fije con tornillo.

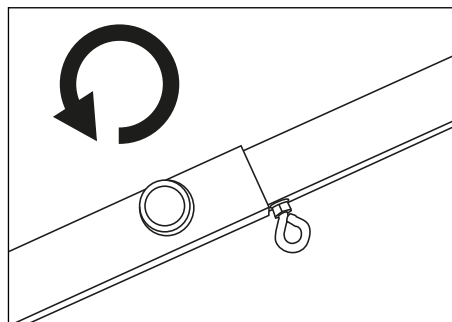


# USO DE LA BARRA TELESCÓPICA DE RECOGIDA

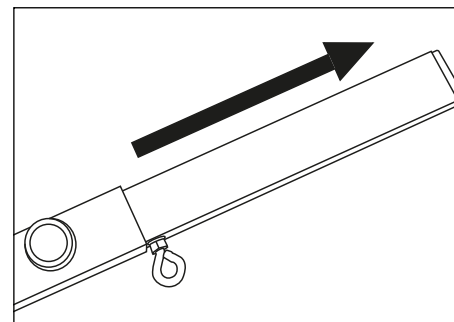
(Opcional)



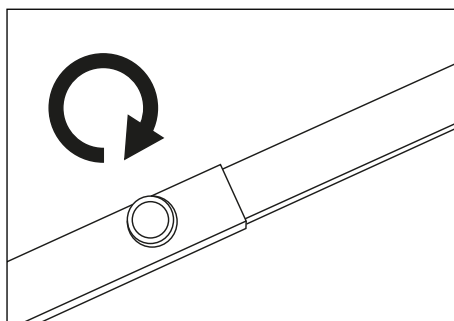
Enganche el anillo del llavero a la cremallera de la funda protectora.



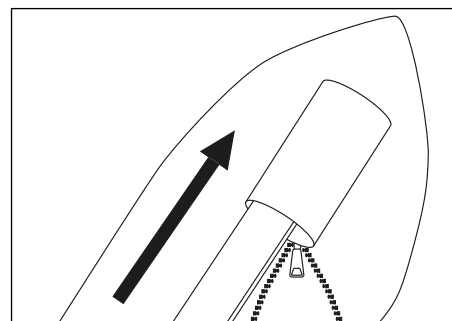
Gire la rosca de la barra, para aflojarla.



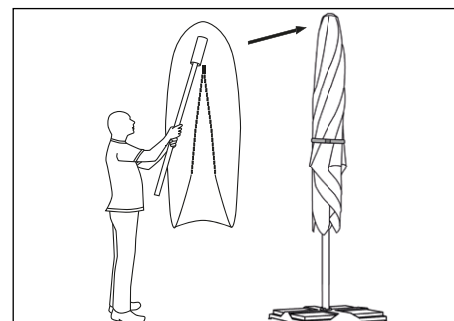
Extraiga la longitud de barra necesaria.



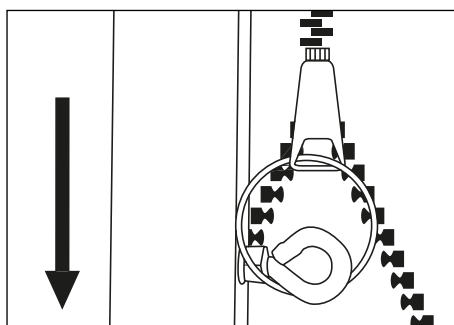
Vuelva a apretar la rosca de la barra.



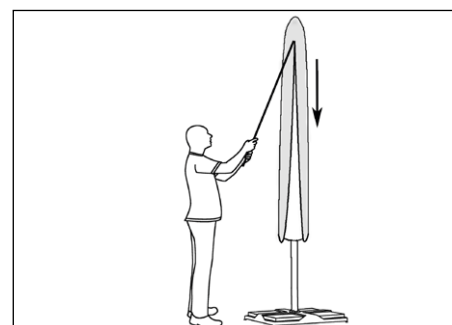
Introduzca la barra telescópica en la funda protectora.



Ponga la funda protectora sobre el parasol, con ayuda de la barra.



Enganche el anillo de la cremallera, a la tuerca de la barra.



Tire hacia abajo para cerrar la cremallera.

## ¡ATENCIÓN!

Si la cremallera se atasca, intente desbloquearla volviendo a subirla y a bajarla. Si no consigue desatascarla así, inténtelo con la mano o retire la funda.



# CONDICIONES DE GARANTÍA

CARAVITA Europe s.r.o. ofrece a clientes una garantía extendida para productos claramente señalados. Los derechos legales del cliente no están limitados por esta garantía.

## **Se aplican las siguientes condiciones de garantía:**

### **GARANTE:**

CARAVITA Europe s.r.o., Trencianska, 827/81, 01851 Nova Dubnica, Eslovaquia;

Tel.:+49-8458-60389-18. Email: [ventas@caravita.eu](mailto:ventas@caravita.eu)

Más datos de contacto en nuestro sitio web: [www.caravita-parasoles.com](http://www.caravita-parasoles.com)

### **TÉRMINOS DE GARANTÍA:**

#### **Plazo:**

5 años a partir de la entrega de los productos. Quedan excluidos de este plazo de garantía, las instalaciones eléctricas y los mecanismos, los cuales cuentan con una garantía de 2 años.

#### **Área Geográfica:**

Todos los estados miembros de la Unión Europea

#### **Objetivo:**

El caso de reclamación de garantía se acepta cuando el producto muestra falla en la función, material o proceso, que no fue causado por el viento, granizo, nieve, etc., o manejo o almacenaje inapropiado. El comprador podrá optar por la opción de recibir las piezas de repuesto necesarias para hacer la reparación por medio del propio comprador, o enviar el producto defectuoso a nuestras instalaciones de producción para reparación. Las piezas de repuesto y sus reparaciones no se facturarán. Los costes de envío serán a cargo del comprador. Si las piezas de repuesto idénticas no están disponibles, el comprador recibirá piezas similares que son apropiadas para la función requerida. Reclamaciones avanzadas de la garantía, especialmente de la cancelación, la reducción o la compensación por daños, están excluidos.

#### **Protección de Garantía:**

Debe de informarse de antemano, si el caso de producto está cubierto por la garantía o no. Para este fin, debe presentarse imagen(es) detallada(s) o prueba similar debe ser presentado. Pedimos que nuestros clientes hablen de cualquier posible caso de garantía primero por teléfono y no nos envíe cualquier mercancía sin aviso previo. Prueba de elegibilidad debe ser en forma de factura o en todo caso, una copia de la factura es requerida.

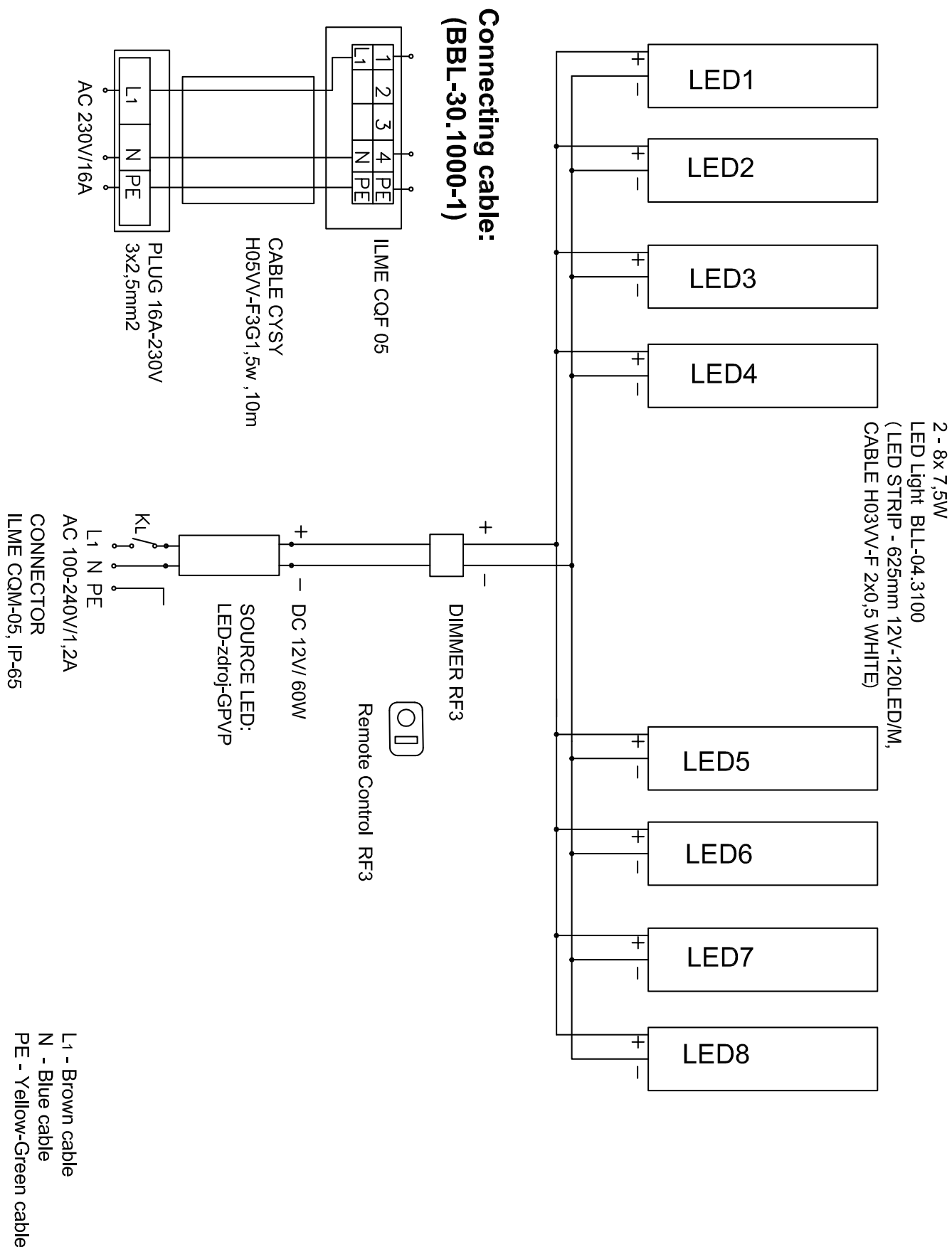
En el examen o prueba si surge que el defecto reportado no es elegible para una reclamación de garantía, nos reservamos el derecho a cobrar al comprador el costo del examen del producto.

#### **Exclusión de garantía:**

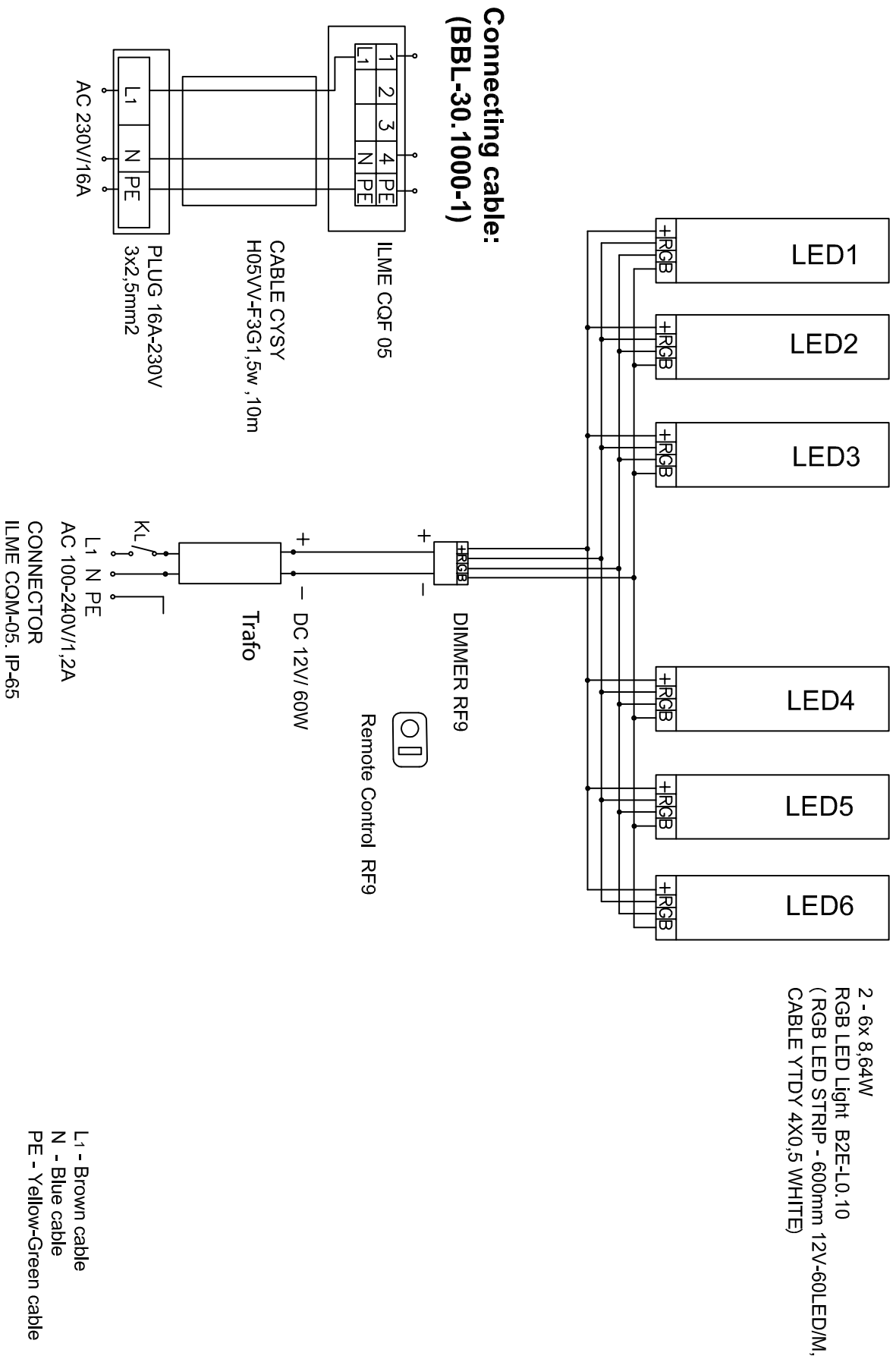
Quedan excluidas las reclamaciones de garantía si el producto está dañado o destruido debido a los efectos de fuerza mayor o de influencias ambientales como el viento, granizo, nieve, escarcha, etc., si el producto se almacena o se utiliza bajo condiciones que no cumplen con las especificaciones técnicas indicadas, o si el daño es causado por el manejo inapropiado o incorrecto, en particular no conforme con las instrucciones de funcionamiento o por modificaciones del producto, así como por el uso común, que no afecta la funcionalidad del producto.

Las condiciones de garantía arriba mencionadas son válidas y los derechos legales de los clientes no son restrictivos.

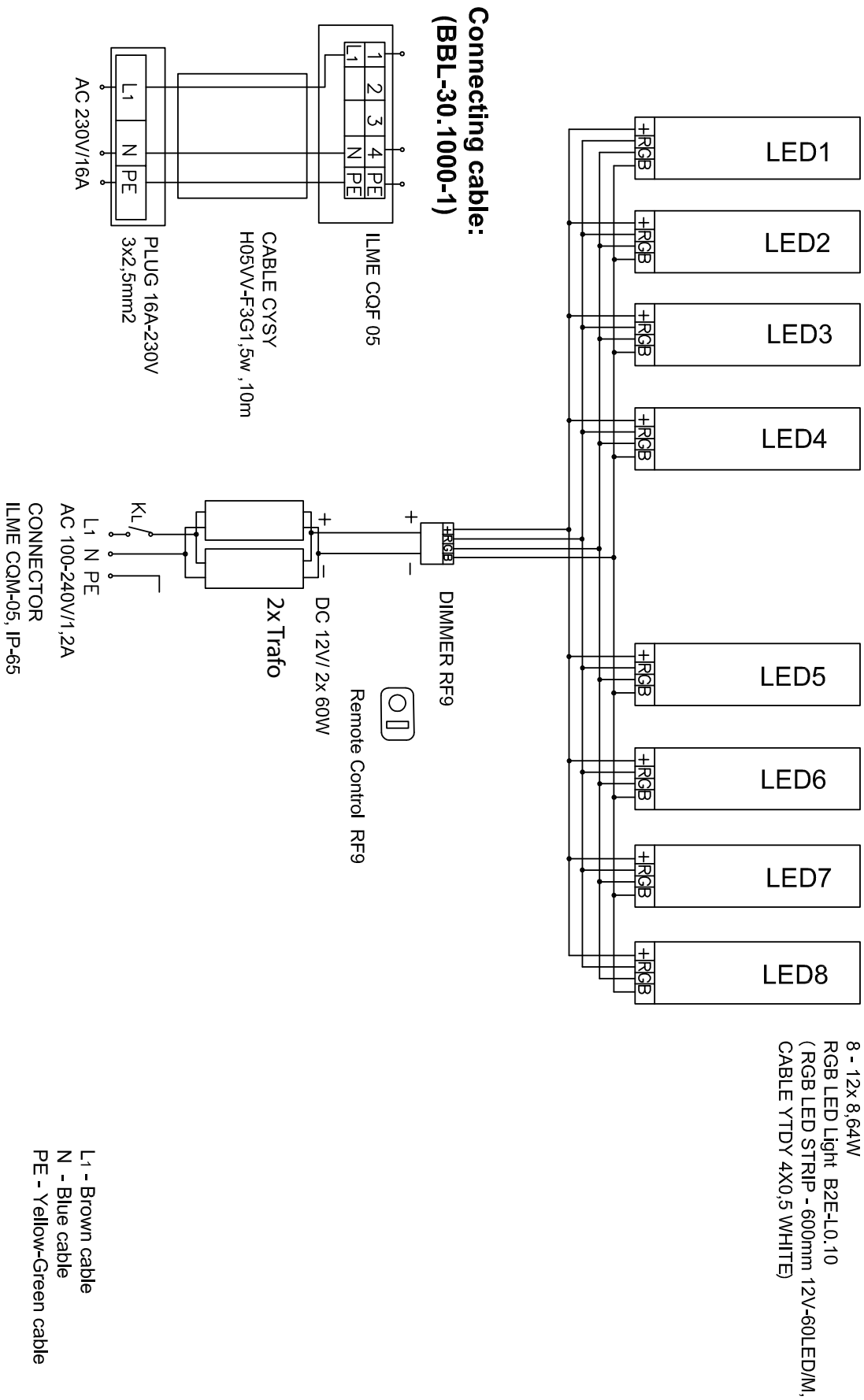
BIG BEN with 2-8x white LEDs:



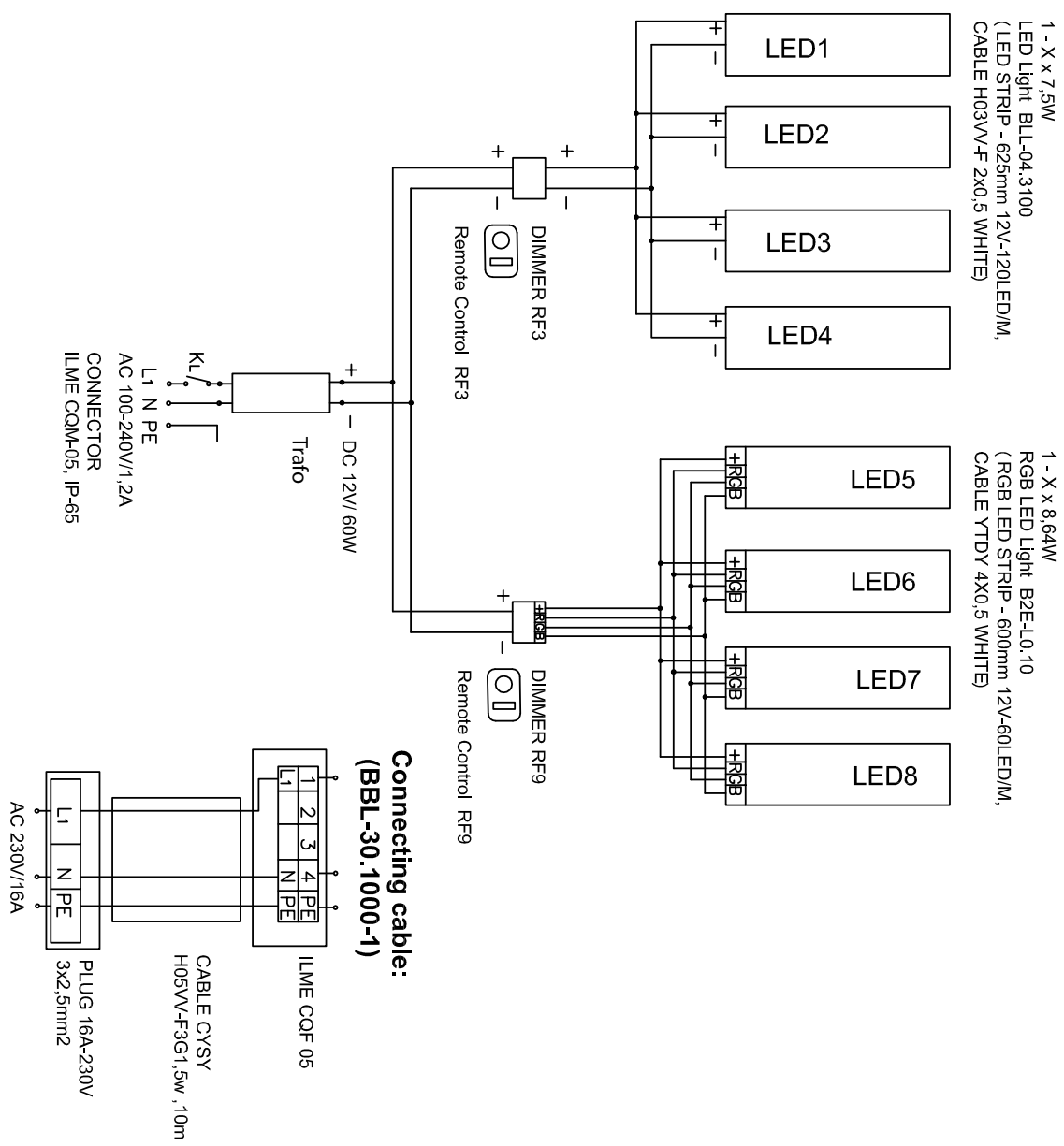
BIG BEN with 2-6x RGB LEDs:



BIG BEN with 8-12 RGB LEDs:

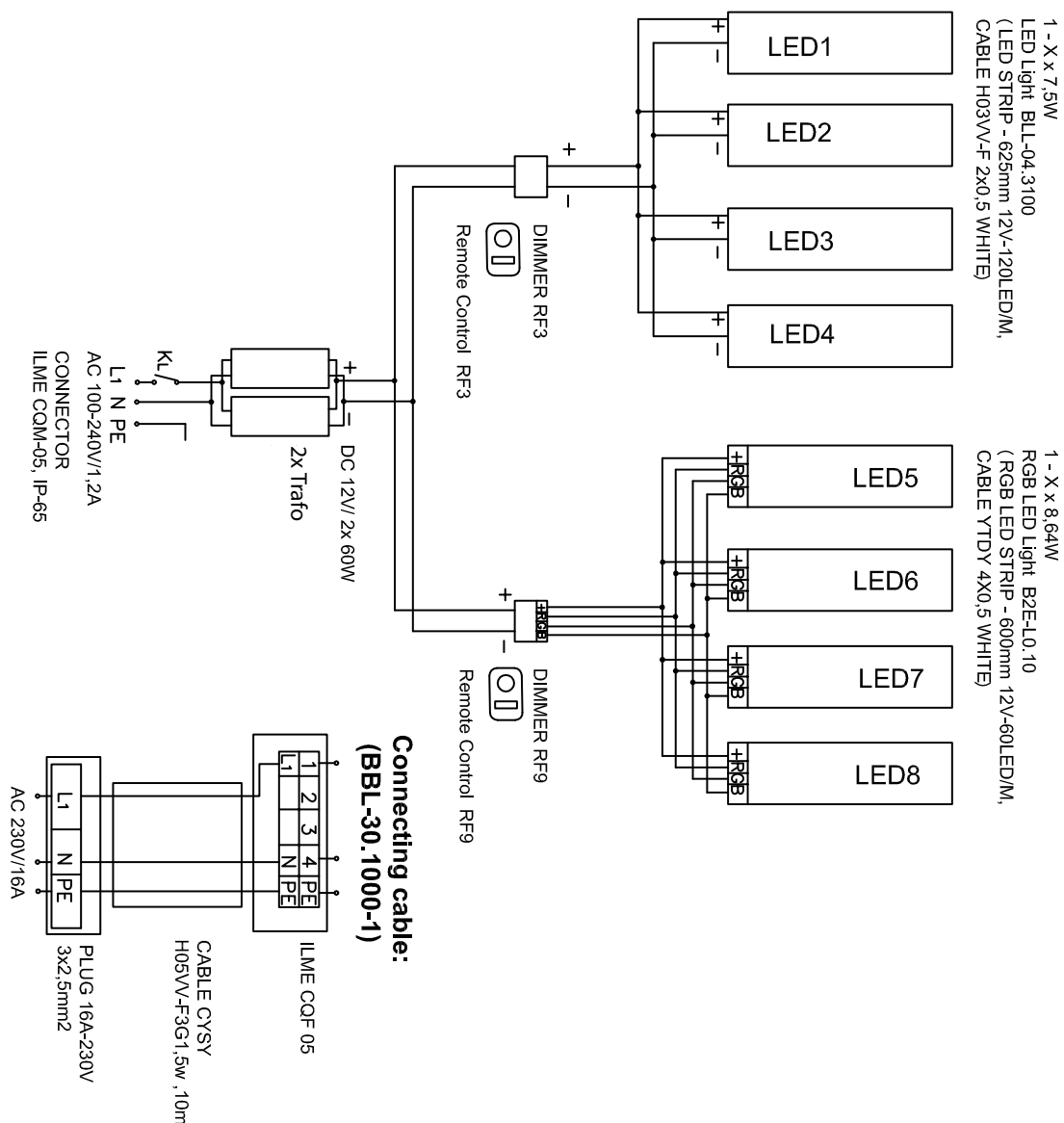


# BIG BEN with 2-7 mixed LEDs (white/RGB):



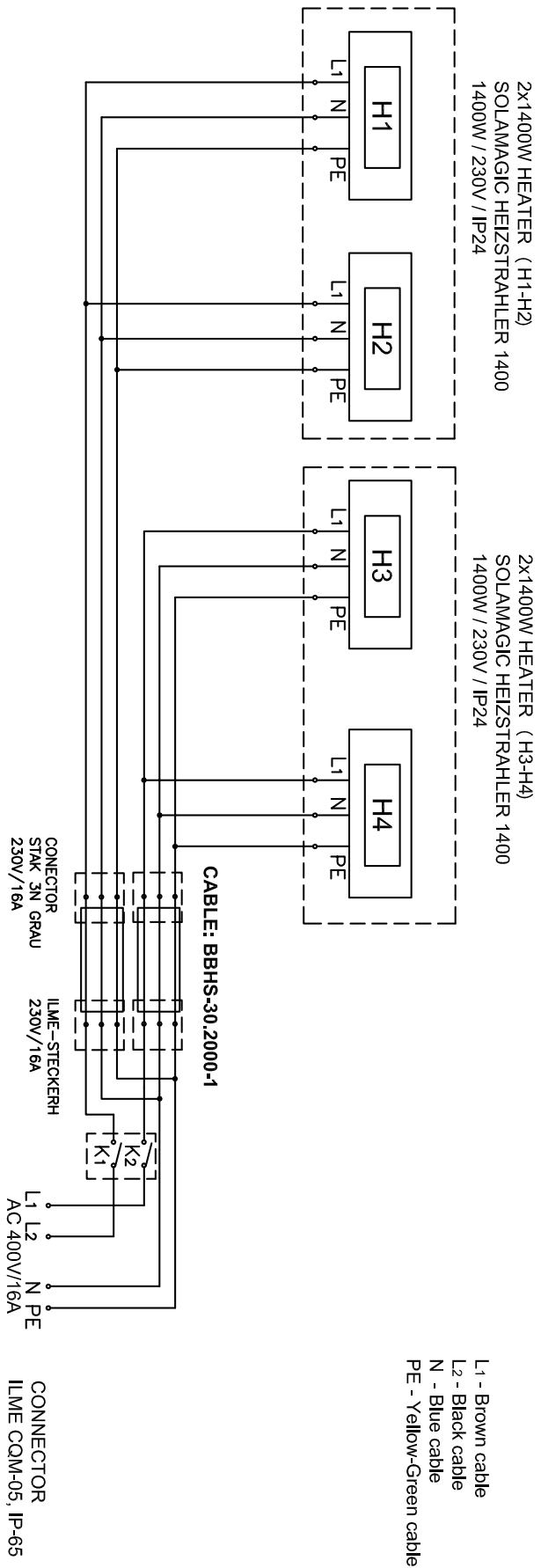
Input, W <sub>LED</sub>	1xRGB	2xRGB	3xRGB	4xRGB	5xRGB	6xRGB
1xLED	16,14 1xTRAFO	24,78 1xTRAFO	33,42 1xTRAFO	42,06 1xTRAFO	50,7 1xTRAFO	59,34 1xTRAFO
2xLED	23,64 1xTRAFO	32,28 1xTRAFO	40,92 1xTRAFO	49,56 1xTRAFO	58,20 1xTRAFO	
3xLED	31,14 1xTRAFO	39,78 1xTRAFO	48,42 1xTRAFO	57,06 1xTRAFO		
4xLED	38,64 1xTRAFO	47,28 1xTRAFO	55,92 1xTRAFO			
5xLED	46,14 1xTRAFO	54,78 1xTRAFO				
6xLED	53,64 1xTRAFO					

# BIG BEN with 8-14 mixed LEDs (white/RGB):

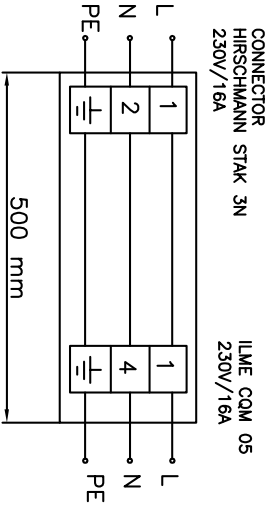


Input, W <sub>B</sub>	1xRGB	2xRGB	3xRGB	4xRGB	5xRGB	6xRGB	7xRGB	8xRGB
1xLED							67,98 2xTRAFO	76,62 2xTRAFO
2xLED						66,84 2xTRAFO	75,48 2xTRAFO	84,12 2xTRAFO
3xLED					65,70 2xTRAFO	74,34 2xTRAFO	82,98 2xTRAFO	91,62 2xTRAFO
4xLED				64,56 2xTRAFO	73,20 2xTRAFO	81,84 2xTRAFO	90,48 2xTRAFO	99,12 2xTRAFO
5xLED			63,42 2xTRAFO	72,06 2xTRAFO	80,70 2xTRAFO	89,34 2xTRAFO	97,98 2xTRAFO	106,62 2xTRAFO
6xLED		62,28 2xTRAFO	70,92 2xTRAFO	79,56 2xTRAFO	88,20 2xTRAFO	96,84 2xTRAFO	105,48 2xTRAFO	114,12 2xTRAFO
7xLED	61,14 2xTRAFO	69,78 2xTRAFO	78,42 2xTRAFO	87,06 2xTRAFO	95,70 2xTRAFO	104,34 2xTRAFO	112,98 2xTRAFO	
8xLED	68,64 2xTRAFO	77,28 2xTRAFO	85,92 2xTRAFO	94,56 2xTRAFO	103,20 2xTRAFO	111,84 2xTRAFO		

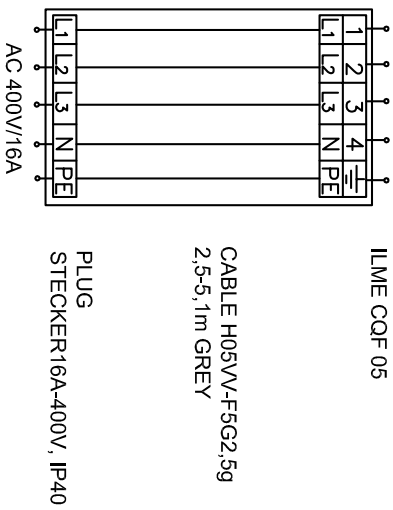
BIG BEN with 1-4x heaters at the mast:



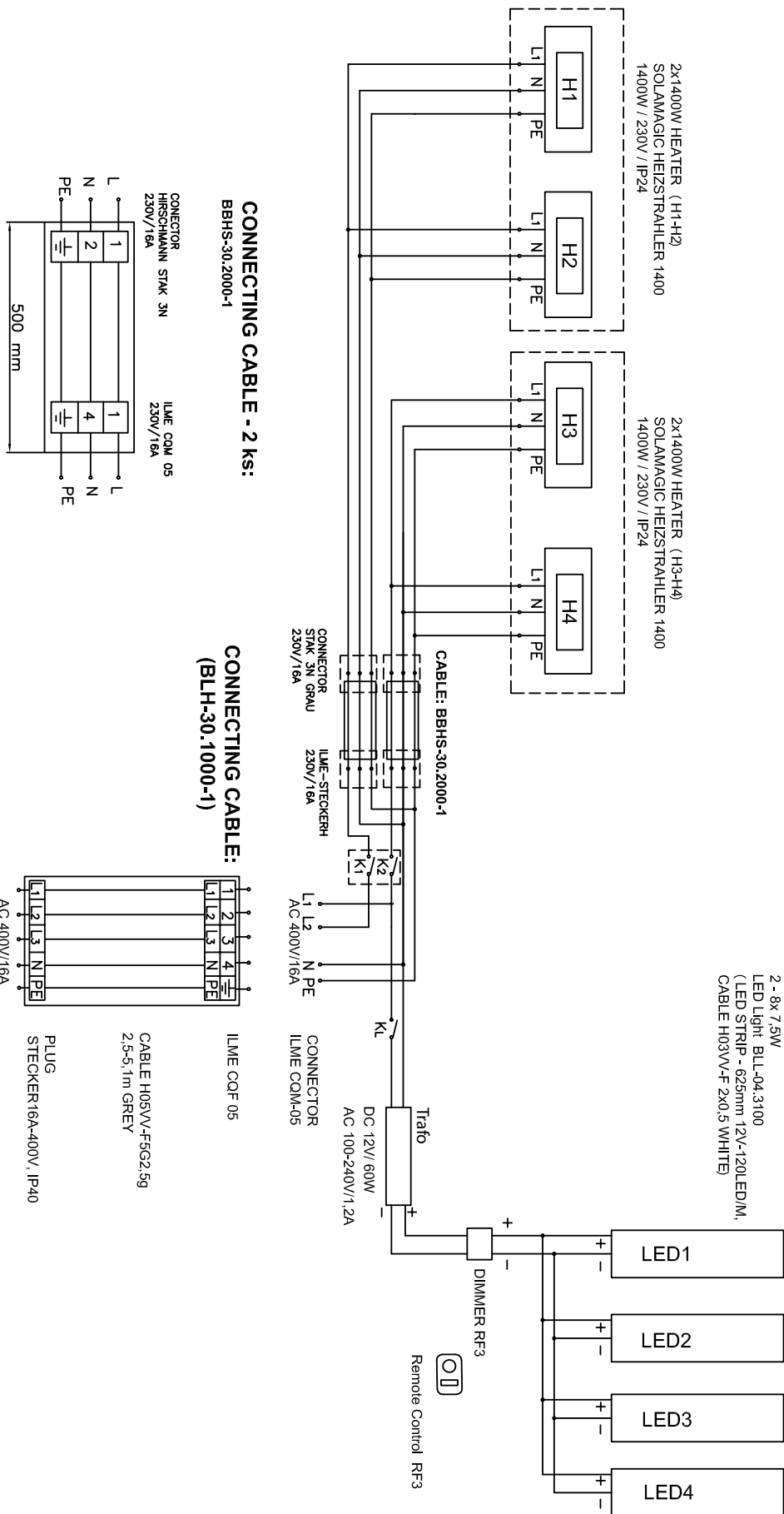
**CONNECTING CABLE - 2 ks:**  
BBHS-30.2000-1



**CONNECTING CABLE:**  
(BLH-30.1000-1)

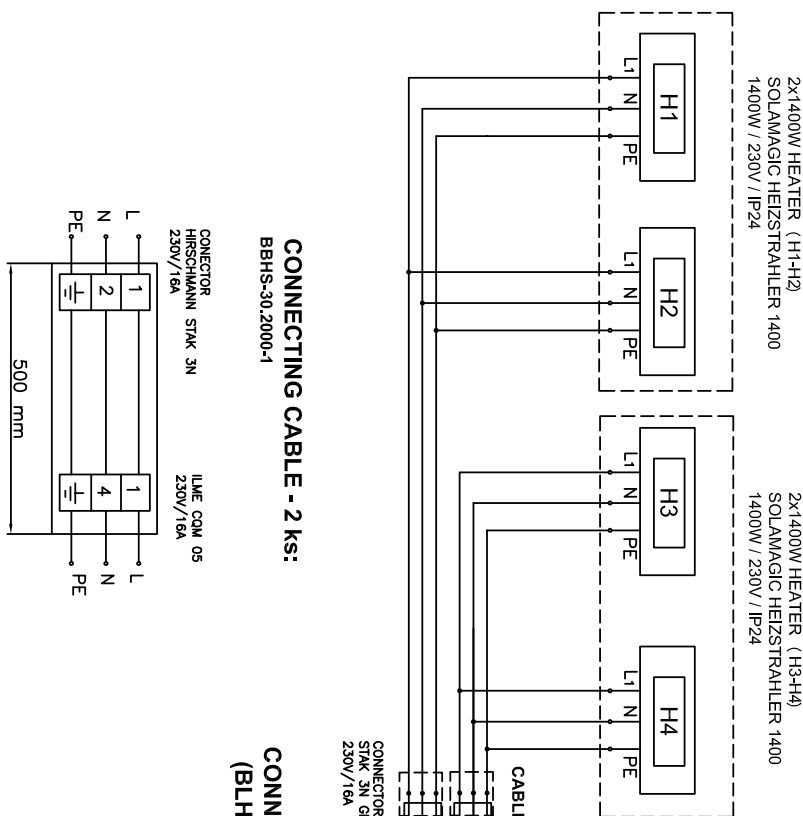


# BIG BEN with 1-4x heaters at the mast and 2-8x white LEDs:



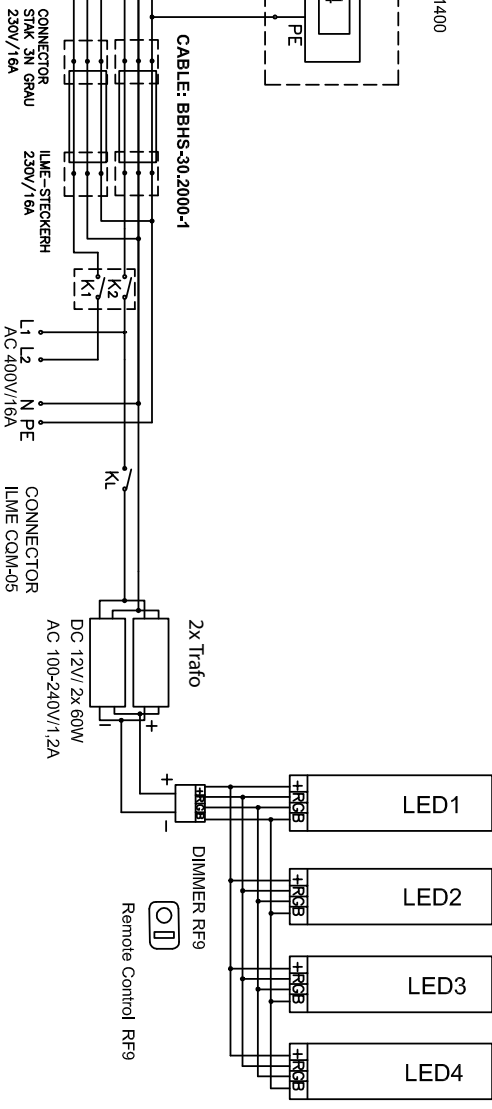


# BIG BEN with 1-4 heaters at the mast and 2-6 RGB LEDs:

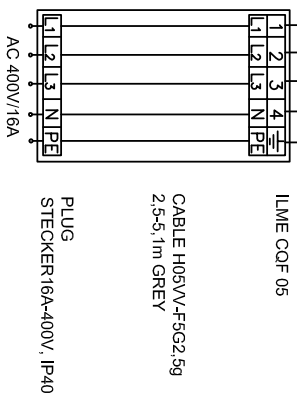
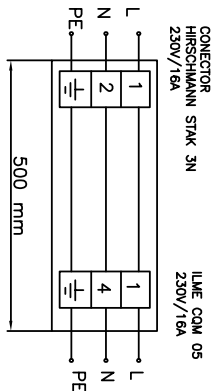


**CONNECTING CABLE - 2 KS:**  
BBHS-30.2000-1

**CONNECTING CABLE:**  
(BLH-30.1000-1)



8 - 12x 8,64W  
RGB LED Light BZE-L0.10  
(RGB LED STRIP - 600mm 12V-60LEDIM,  
CABLE YTDY 4X0,5 WHITE)

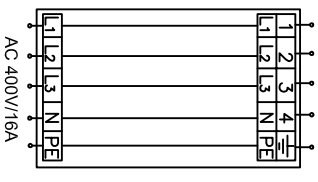




# BIG BEN with 1-4 heaters at the mast and 2-7 mixed LEDs (white/RGB):

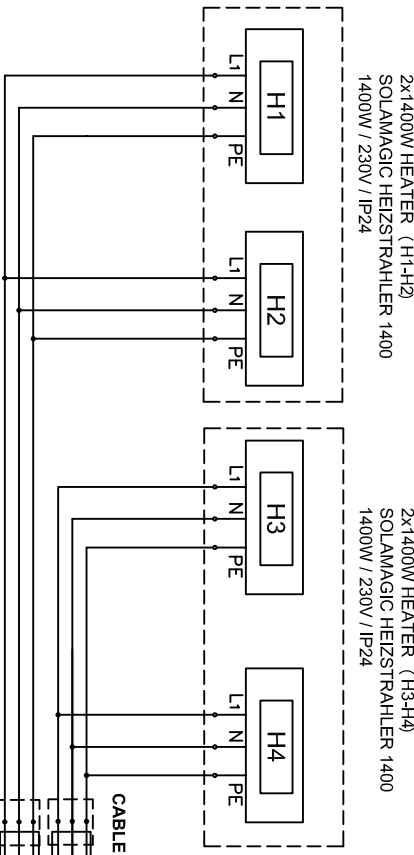
Input, W <sub>max</sub>	1xRGB	2xRGB	3xRGB	4xRGB	5xRGB	6xRGB
1xLED	16.14 1xTRAF0	24.78 1xTRAF0	33.42 1xTRAF0	42.06 1xTRAF0	50.7 1xTRAF0	59.34 1xTRAF0
2xLED	23.64 1xTRAF0	32.28 1xTRAF0	40.92 1xTRAF0	49.56 1xTRAF0	58.20 1xTRAF0	
3xLED	31.14 1xTRAF0	39.78 1xTRAF0	48.42 1xTRAF0	57.06 1xTRAF0		
4xLED	38.64 1xTRAF0	47.28 1xTRAF0	55.92 1xTRAF0			
5xLED	46.14 1xTRAF0	54.78 1xTRAF0				
6xLED	53.64 1xTRAF0					

### Connecting cable: (BLH-30.1000-1)

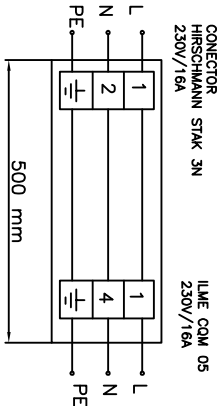


ILME CQM 05  
CABLE H05VV-F-FG2,5g  
2.5-5,1m GREY

PLUG  
STECKER16A-400V, IP40



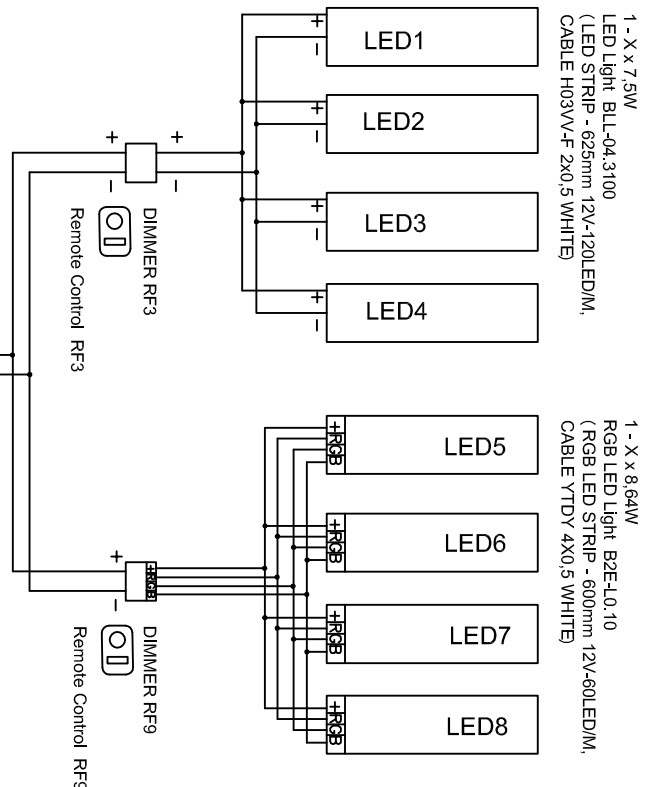
### CONNECTING CABLE - 2 KS: BBHS-30.2000-1



CONNECTOR  
HIRSCHMANN STAK 3N  
230V/16A

ILME CQM 05  
230V/16A

L1 - Brown cable  
L2 - Black cable  
N - Blue cable  
PE - Yellow-Green cable



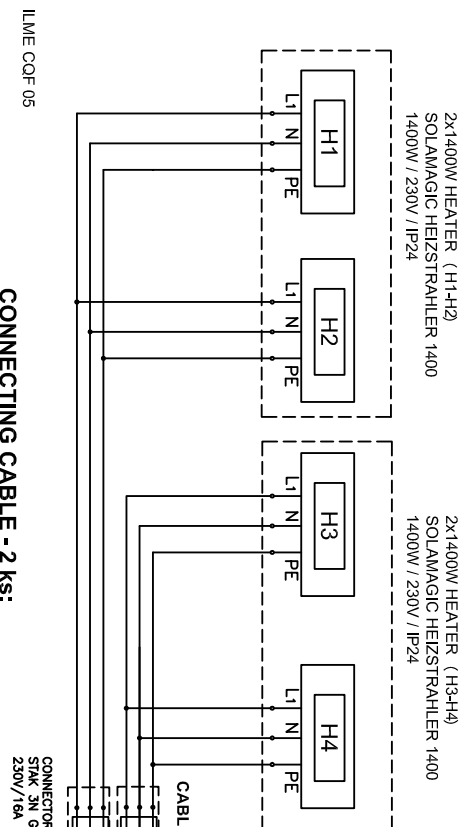
1 - X x 7,5W  
LED Light BLL-04.3/100  
(LED STRIP - 625mm 12V-120LED/M,  
CABLE H03VV-F 2x0,5 WHITE)

1 - X x 8,64W  
RGB LED Light BZE-L0.10  
(RGB LED STRIP - 600mm 12V-60LED/M,  
CABLE YTDY 4X0,5 WHITE)

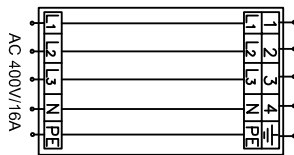
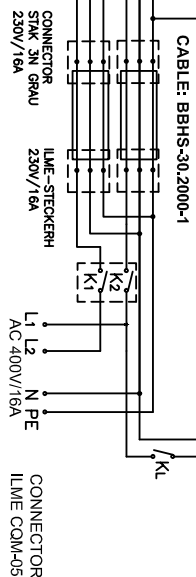
# BIG BEN with 1-4 heaters at the mast and 8-14 mixed LEDs (white/RGB):

Input W <sub>max</sub>	1xRGB	2xRGB	3xRGB	4xRGB	5xRGB	6xRGB	7xRGB	8xRGB
1xLED								
2xLED						66,84 2xTRAF0	67,98 2xTRAF0	76,62 2xTRAF0
3xLED						66,84 2xTRAF0	75,48 2xTRAF0	84,12 2xTRAF0
4xLED				64,56 2xTRAF0	73,20 2xTRAF0	81,84 2xTRAF0	90,48 2xTRAF0	99,12 2xTRAF0
5xLED			63,42 2xTRAF0	72,06 2xTRAF0	80,70 2xTRAF0	89,34 2xTRAF0	97,98 2xTRAF0	106,62 2xTRAF0
6xLED	62,28 2xTRAF0	70,92 2xTRAF0	79,56 2xTRAF0	88,20 2xTRAF0	96,84 2xTRAF0	105,48 2xTRAF0	114,12 2xTRAF0	
7xLED	61,14 2xTRAF0	69,78 2xTRAF0	78,42 2xTRAF0	87,06 2xTRAF0	95,70 2xTRAF0	104,34 2xTRAF0	112,98 2xTRAF0	
8xLED	60,64 2xTRAF0	69,28 2xTRAF0	77,92 2xTRAF0	86,56 2xTRAF0	95,20 2xTRAF0	103,84 2xTRAF0	112,48 2xTRAF0	

## Connecting cable: (BLH-30,1000-1)

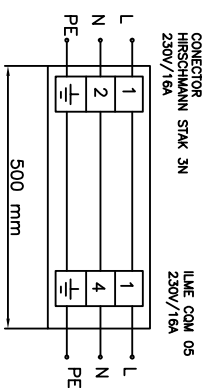


## CONNECTING CABLE - 2 KS: BBHS-30,2000-1



ILME CDF 05  
CABLE H03VV-F5G2,5G  
2,5-5,1m GREY

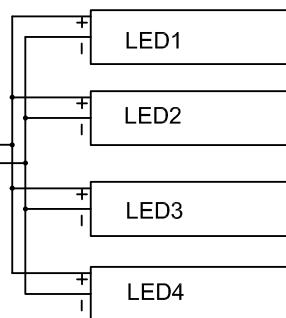
PLUG  
STUECKER16A-400V / IP40  
AC 400V/16A



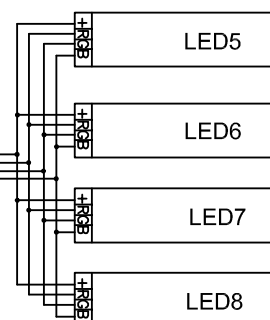
CONNECTOR  
HIRSCHMANN STAK 3N  
230V/16A

ILME COM 05  
230V/16A

L1 - Brown cable  
L2 - Black cable  
N - Blue cable  
PE - Yellow-Green cable

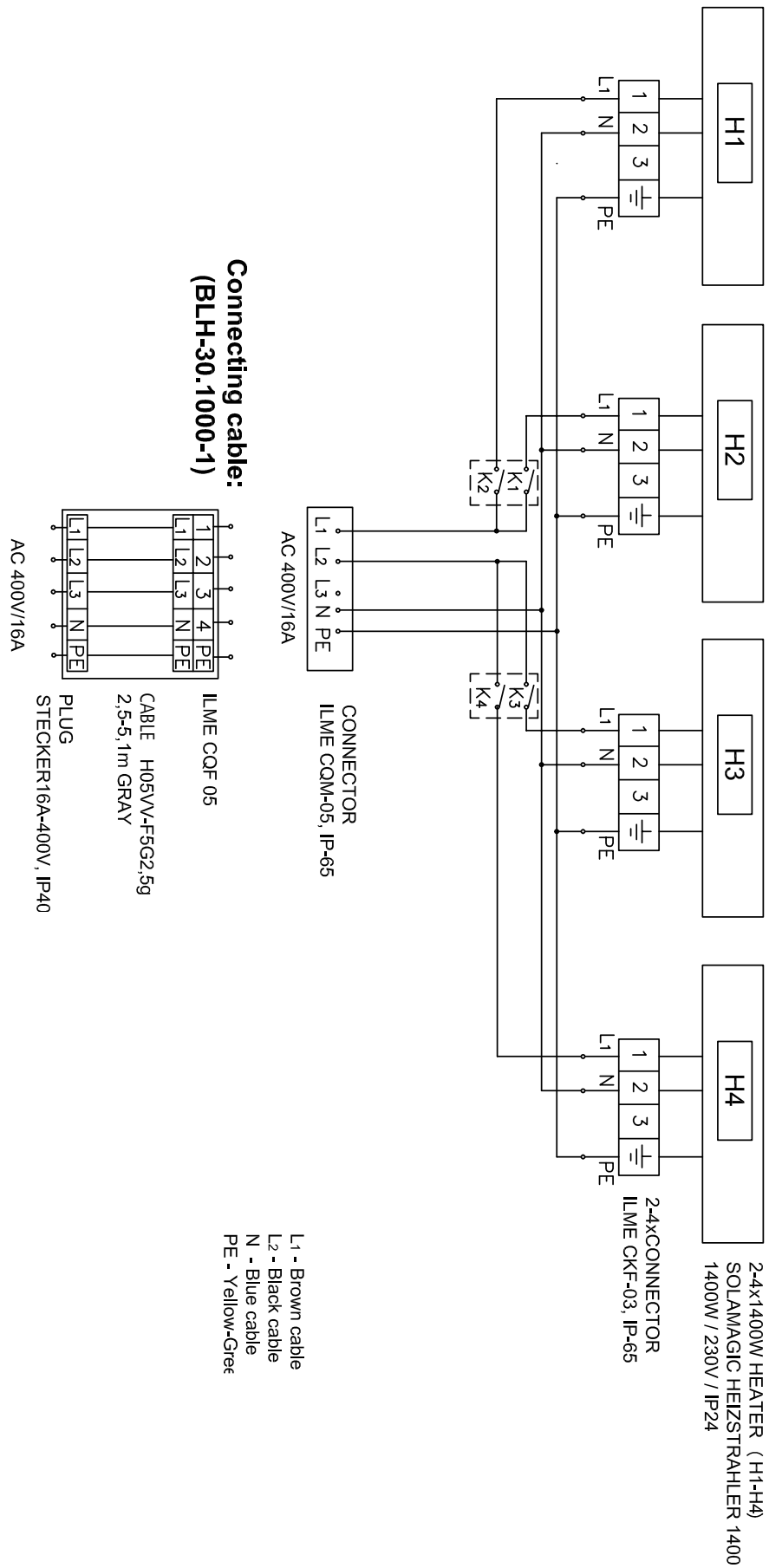


1 - X x 7,5W  
LED Light BL-L04,3100  
(LED STRIP - 625mm 12V-120LED/M,  
CABLE H03VV-F 2x0,5 WHITE)

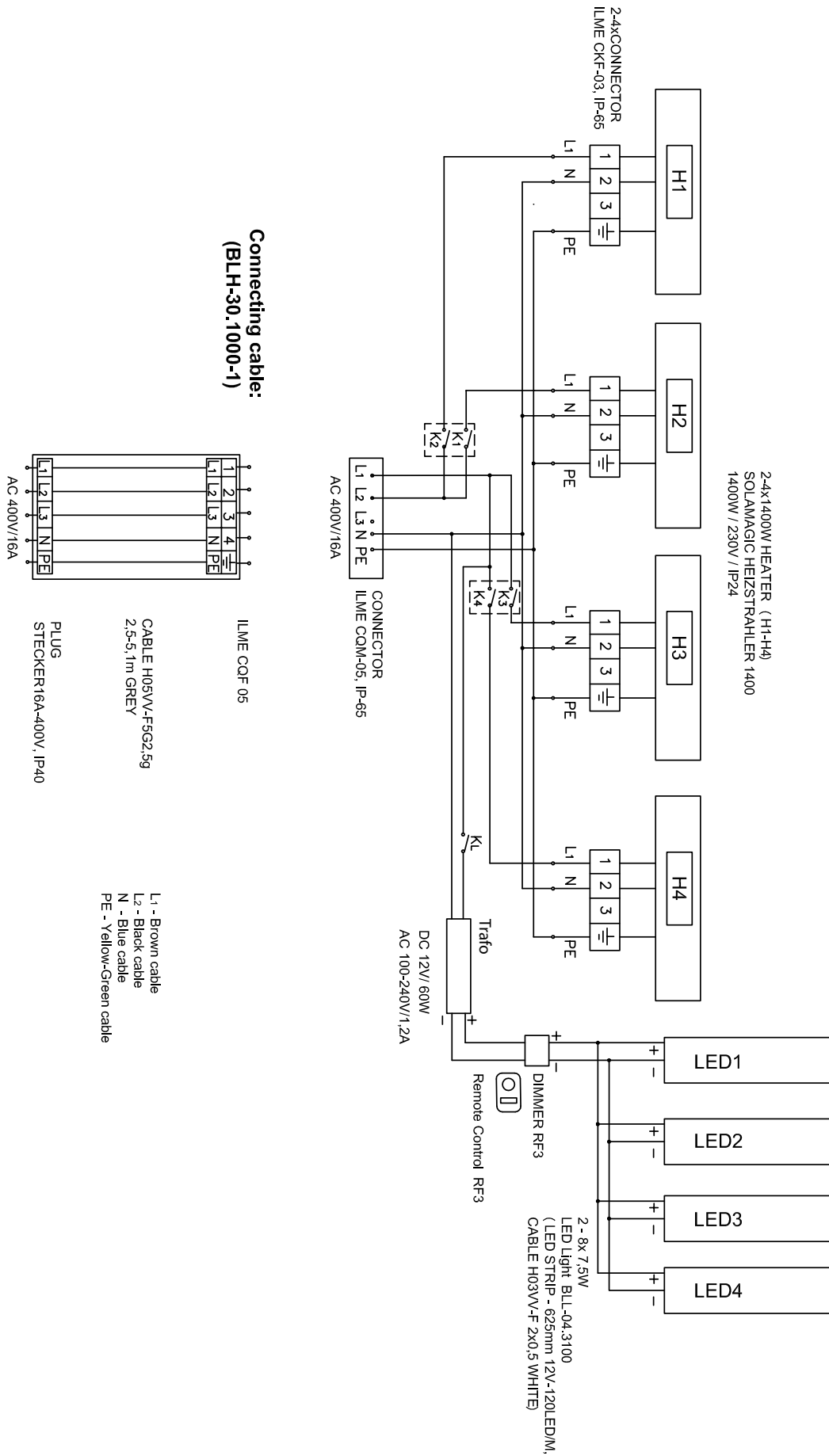


1 - X x 8,64W  
RGB LED Light B2E-L0,10  
(RGB LED STRIP - 600mm 12V-60LED/M,  
CABLE YTDY 4X0,5 WHITE)

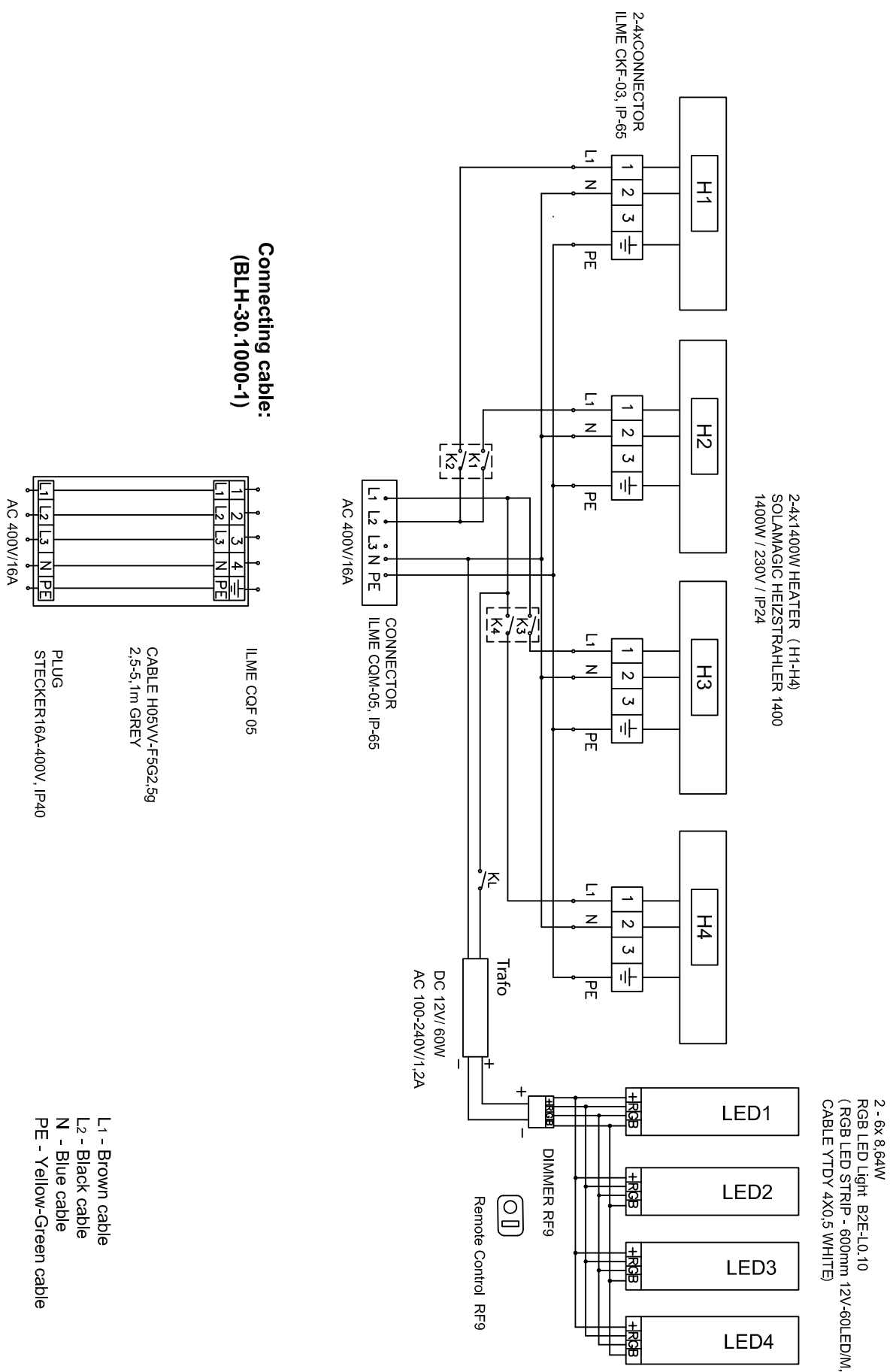
BIG BEN with 1-4x heaters at the end of the struts:



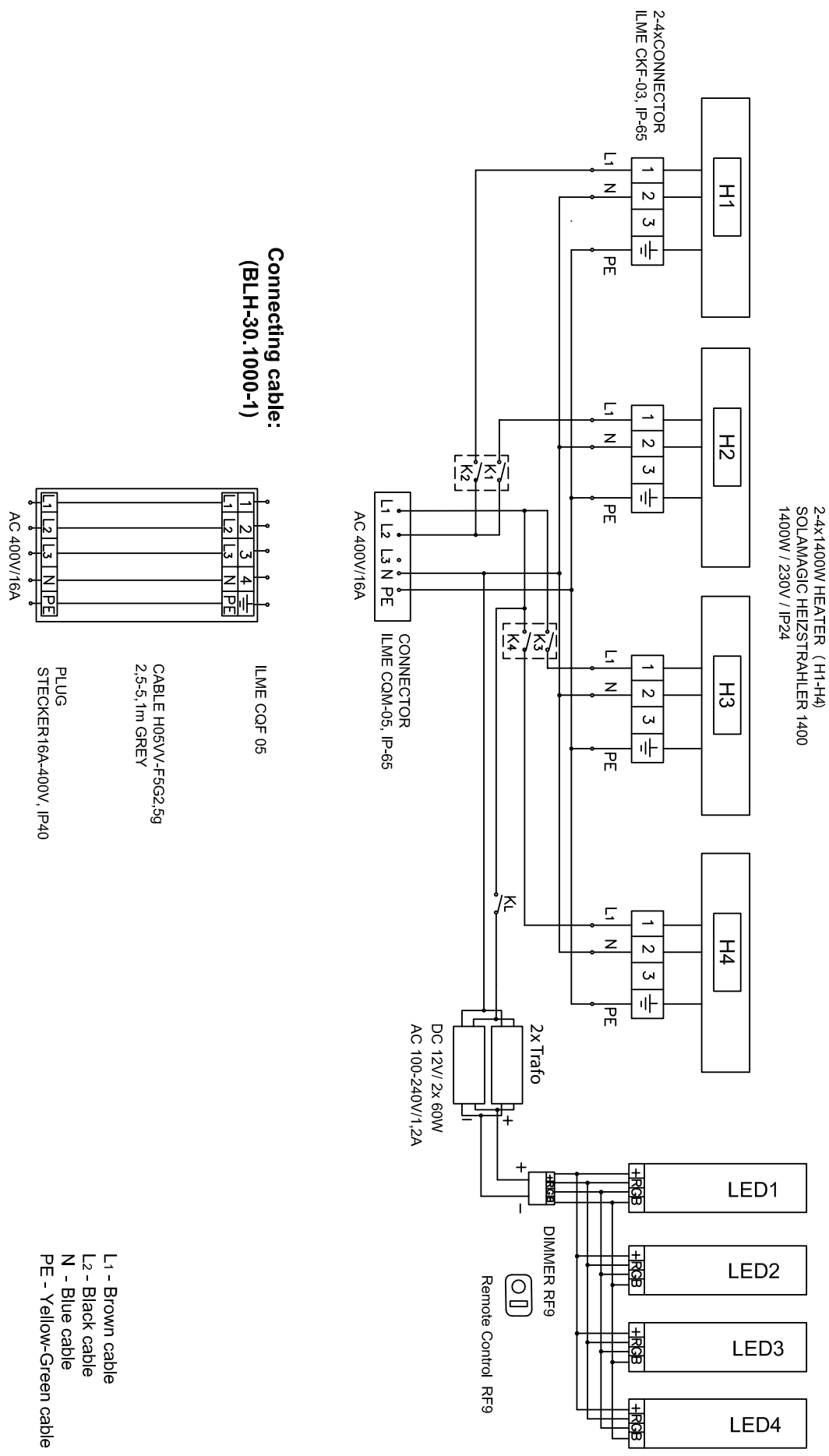
BIG BEN with 1-4x heaters at the end of the struts and 2-8x white LEDs:



# BIG BEN with 1-4 heaters at end of struts and 2-6 RGB LEDs:



# BIG BEN with 1-4 heaters at end of struts and 8-12 RGB LEDs:

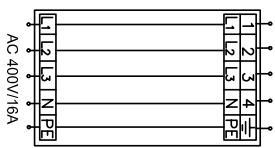




# BIG BEN with 1-4 heaters at the end of the struts and 2-7 mixed LEDs (white/RGB):

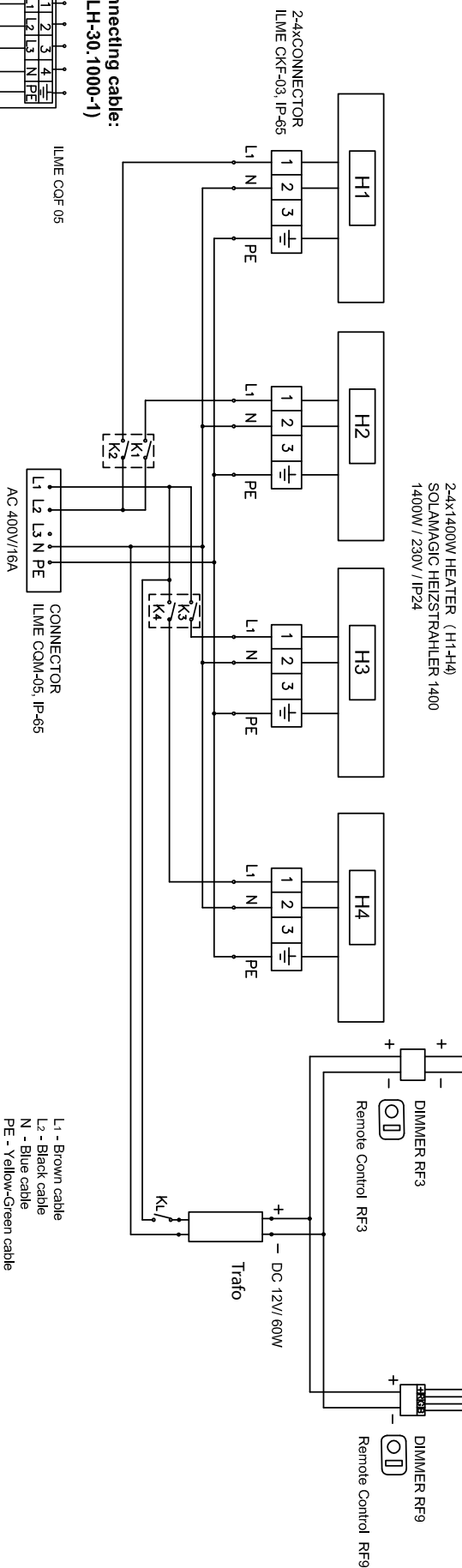
Input, W <sub>tot</sub>	1xRGB	2xRGB	3xRGB	4xRGB	5xRGB	6xRGB
1xLED	16,14 1xTRAFO	24,78 1xTRAFO	33,42 1xTRAFO	42,06 1xTRAFO	50,7 1xTRAFO	59,34 1xTRAFO
2xLED	23,64 1xTRAFO	32,28 1xTRAFO	40,92 1xTRAFO	49,56 1xTRAFO	58,20 1xTRAFO	
3xLED	31,14 1xTRAFO	39,78 1xTRAFO	48,42 1xTRAFO	57,06 1xTRAFO		
4xLED	38,64 1xTRAFO	47,28 1xTRAFO	55,92 1xTRAFO			
5xLED	46,14 1xTRAFO	54,78 1xTRAFO				
6xLED	53,64 1xTRAFO					

**Connecting cable:  
(BLH-30.1000-1)**



LIME COF 05  
CABLE H05VV-F5G2.5g  
2.5-5, 1m GREY

PLUG  
STECCKER16A-400V, IP40  
AC 400V/16A

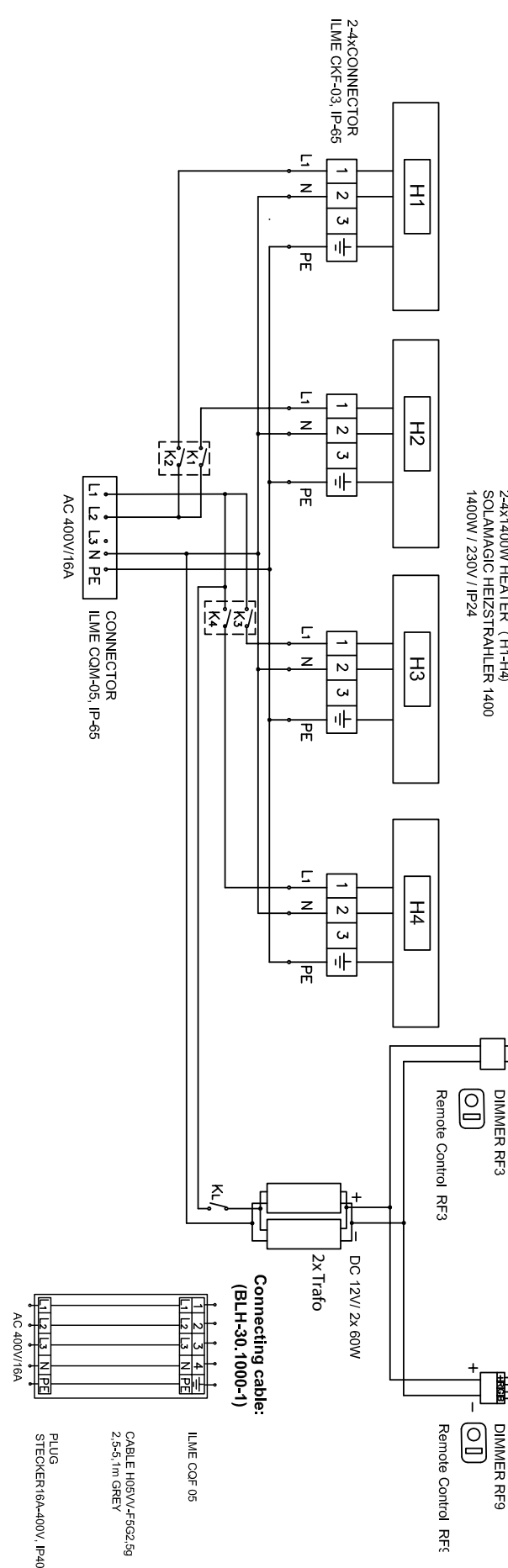


1 - X x 7,5W  
LED Light BILL-04.3100  
(LED STRIP - 625mm 12V-120LEDM,  
CABLE H03VV-F 2x0,5 WHITE)

1 - X x 8,64W  
RGB LED Light B2E-L0.10  
(RGB LED STRIP - 600mm 12V-60LEDM,  
CABLE YTDV 4X0,5 WHITE)

# BIG BEN with 1-4 heaters at the end of the struts and 8-14 mixed LEDs (white/RGB):

Input Watt	1xRGB	2xRGB	3xRGB	4xRGB	5xRGB	6xRGB	7xRGB	8xRGB
1xLED							67.98 2xTRAF0	76.62 2xTRAF0
2xLED						66.84 2xTRAF0	75.48 2xTRAF0	84.12 2xTRAF0
3xLED					65.70 2xTRAF0	74.34 2xTRAF0	82.98 2xTRAF0	91.62 2xTRAF0
4xLED				64.56 2xTRAF0	73.20 2xTRAF0	81.84 2xTRAF0	90.48 2xTRAF0	99.12 2xTRAF0
5xLED			63.42 2xTRAF0	72.06 2xTRAF0	80.70 2xTRAF0	89.34 2xTRAF0	97.98 2xTRAF0	106.62 2xTRAF0
6xLED	61.14 2xTRAF0	62.28 2xTRAF0	70.92 2xTRAF0	79.56 2xTRAF0	88.20 2xTRAF0	96.84 2xTRAF0	105.48 2xTRAF0	114.12 2xTRAF0
7xLED	61.14 2xTRAF0	69.78 2xTRAF0	78.42 2xTRAF0	87.06 2xTRAF0	95.70 2xTRAF0	104.34 2xTRAF0	112.98 2xTRAF0	
8xLED	68.64 2xTRAF0	77.28 2xTRAF0	85.92 2xTRAF0	94.56 2xTRAF0	103.20 2xTRAF0	111.84 2xTRAF0		



1 - X x 7.5W  
LED Light BL-L-04,3x100  
(LED STRIP - 625mm 12V-120LEDIM,  
CABLE H03VV-F 2X0,5 WHITE)

1 - X x 8.64W  
RGB LED Light BZE-L-0,10  
(RGB LED STRIP - 600mm 12V-60LEDIM,  
CABLE YTDY 4X0,5 WHITE)